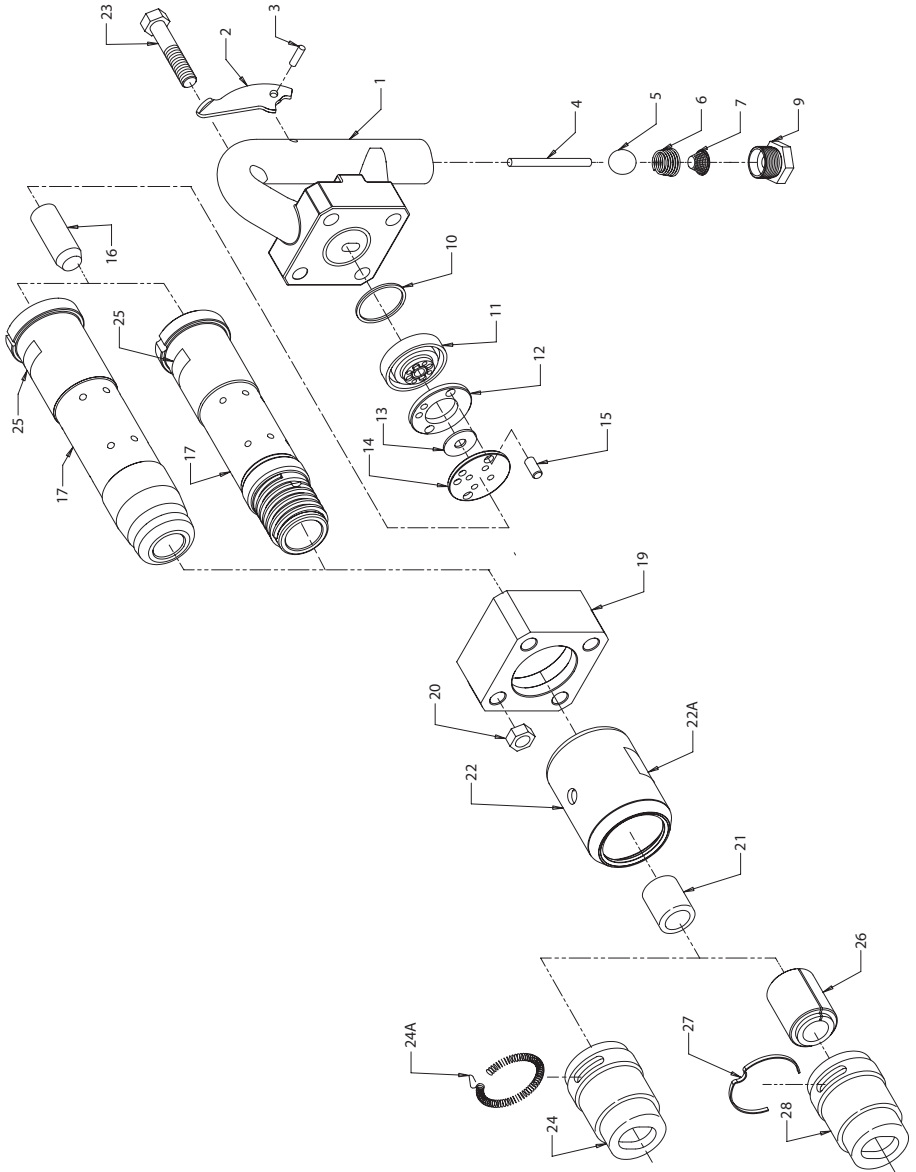


# "D" Series and MDT3-EU Air Percussive Chipping Hammer Exploded Diagram



(Dwg. TPC655-2)



## "D" Series and MDT3-EU Air Percussive Chipping Hammer Parts List

Item	Part Description	Part Number	Item	Part Description	Part Number
1	Grip Handle Assembly		17	Barrel	
	for 2DA, 3DA, 4DA	3DA-A1		for 2DA	2DA-6
	for MDT3-EU	3DA-A1-EU		for 3DA	3DA-6
2	Throttle Lever	3DA-134		for 4DA	4DA-6
3	Roll Pin	C-15		for MDT3-EU (threaded)	3DW-EU-6
4	Throttle Valve Plunger	3DA-604	19	Collar	3DA-A43
5	Throttle Valve Ball	HH-602A	20	Nyloc Nut (4)	3DA-305
6	Throttle Valve Spring	3DA-51	21	Nozzle	
7	Air Strainer	834-61		.680" round	B01-19B
9	Inlet Bushing			.580" hex	B01-7B
	7/8"-24 (for 2DA, 3DA, 4DA)	3DA-382		.780" hex (MDT3-EU only)	3DA-330
	3/8" for MDT3-EU "	3DA-282	22	Exhaust Deflector	3DA-85
10	O-Ring	3DA-121	22A	Noise Label (-EU models only)	92679646
11	Valve Cap	HH-4	23	Bolt (4)	3DA-549
12	Valve Spacer	HH-8A	24	Arrow Retainer (Plain Type)	HH1-1190
13	Valve	HH-2A	24A	Lock Spring	HH1-1194
14	Valve Seat	HH-3	25	Warning Label	
15	Dowel Pin (2)	HH-32		for 2DA, 3DA and 4DA	WARNING-2-99
16	Piston			for MDT3-EU	EU-99
	for 2DA	HH1-5	26	Buffer Screw Retainer (for -EU models only)	3DW-50
	for 3DA, 4DA and MDT3-EU	HH4-5	27	Retainer Lock Spring (for -EU models only)	24SR-207
			28	Retainer (for -EU models only; threaded barrel)	HHW1-300

### Parts and Maintenance

When the life of the tool has expired, it is recommended that the tool be disassembled, degreased and parts be separated by material so that they can be recycled.

Tool repair and maintenance should only be carried out by an authorized Service Center.

Refer all communications to the nearest **Ingersoll Rand** Office or Distributor.

### Related Documentation

For additional information refer to:

Air Percussive Chipping Hammer Product Safety Information Manual 04581450.

Air Percussive Chipping Hammer Product Information Manual 16574154.

Air Percussive Chipping Hammer Maintenance Information Manual 16574238.

Manuals can be downloaded from [ingersollrandproducts.com](http://ingersollrandproducts.com)