

Parts Manual
823015
04/07/2011

Cleco®

8 Series
Inline & Pistol Grip Screwdrivers

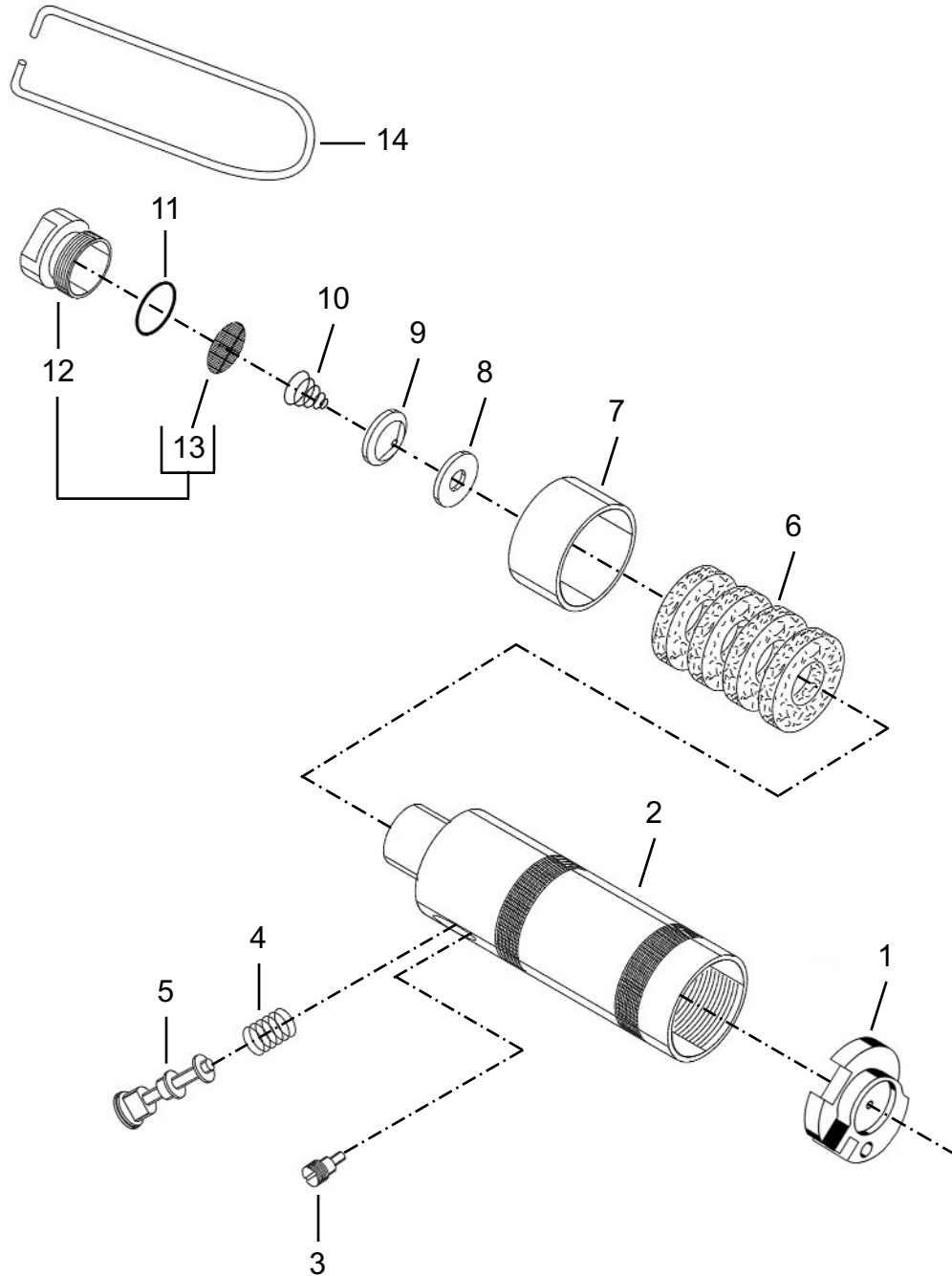


For additional product information visit our website at <http://www.apextoolgroup.com>

Cleco® Straight Handle Assembly

“A”

Models:
8RSA
8SA



Straight Handle Assembly

Illustration, Abbildung, Illustration, Ilustración, Illustrazione "A"

Index	Number	Qty	●	EN	DE	FR	ES	IT
				Description	Benennung	Designation	Description	Description
--	Table "A"	1		Handle Assembly	Montage	Assemblage	Ensamblaje	Assemblaggio
1	Table "A"	1		Motor Block	Motorblock	Bloc de moteur	El Bloque motriz	Il Blocco automobilistico
2	Table "A"	1		Handle	Handgriff	Poignée	Manija	Impugnatura
3	867878	1	1	Valve Retainer Screw	Halteschraube	Vis de retenue	Tornillo de retención	Vite di fissaggio
4	865770	1	2	Reversing Valve Spring	Ventilfeder	Printemps de soupape	La Primavera de la válvula	Primavera di valvola
5	869253	1		Reversing Valve	Umsteuerventil	Vanne de renversement	Válvula de inversión	Valvola di reversibilità
6	869850	4	8	Muffler	Schalldämpfer	Silencieux	Silenciador	Silenziatore
7	869844	1		Exhaust Deflector	Auspuffblende	Défecteur d'échappement	Deflector de escape	Deflettore di scarico
8	869201	1		Shut Off Valve Seal	Dichtung	Sceau	Sello	Guarnizione
9	867890	1		Shut Off Valve	Ventil	Soupape	Válvula	Valvola
10	867887	1	2	Shut Off Valve Spring	Ventilfeder	Printemps de soupape	La Primavera de la válvula	Primavera di valvola
11	863454	1	3	O-Ring	O-Ring	Joint torique	Anillo "O"	Anello ad O
12	867882	1		Inlet Bushing	Einlaß Buchse	Bushing d'arrivée	Buje de cala	Bushing di apertura
13	833300	1	3	Inlet Screen	Bildschirm	Ecran	Criba	Schermo
14	865777	1		Suspension Bail	Aufhängebügel	Etrier de suspension	Estribo de la suspensión	Staffa di sospensione

(Qty) Quantity / Stückzahl / Quantité / Cantidad / Quantità

(●) Recommended Spare Parts / Kennzeichnet empfohlenes / Identifica un particolare di ricambio raccomandato / Designa el repuesto recomendado / Indique la pièce de rechange conseillée.

Table, Tabelle, Tableau, Tabla, Tabella "A"

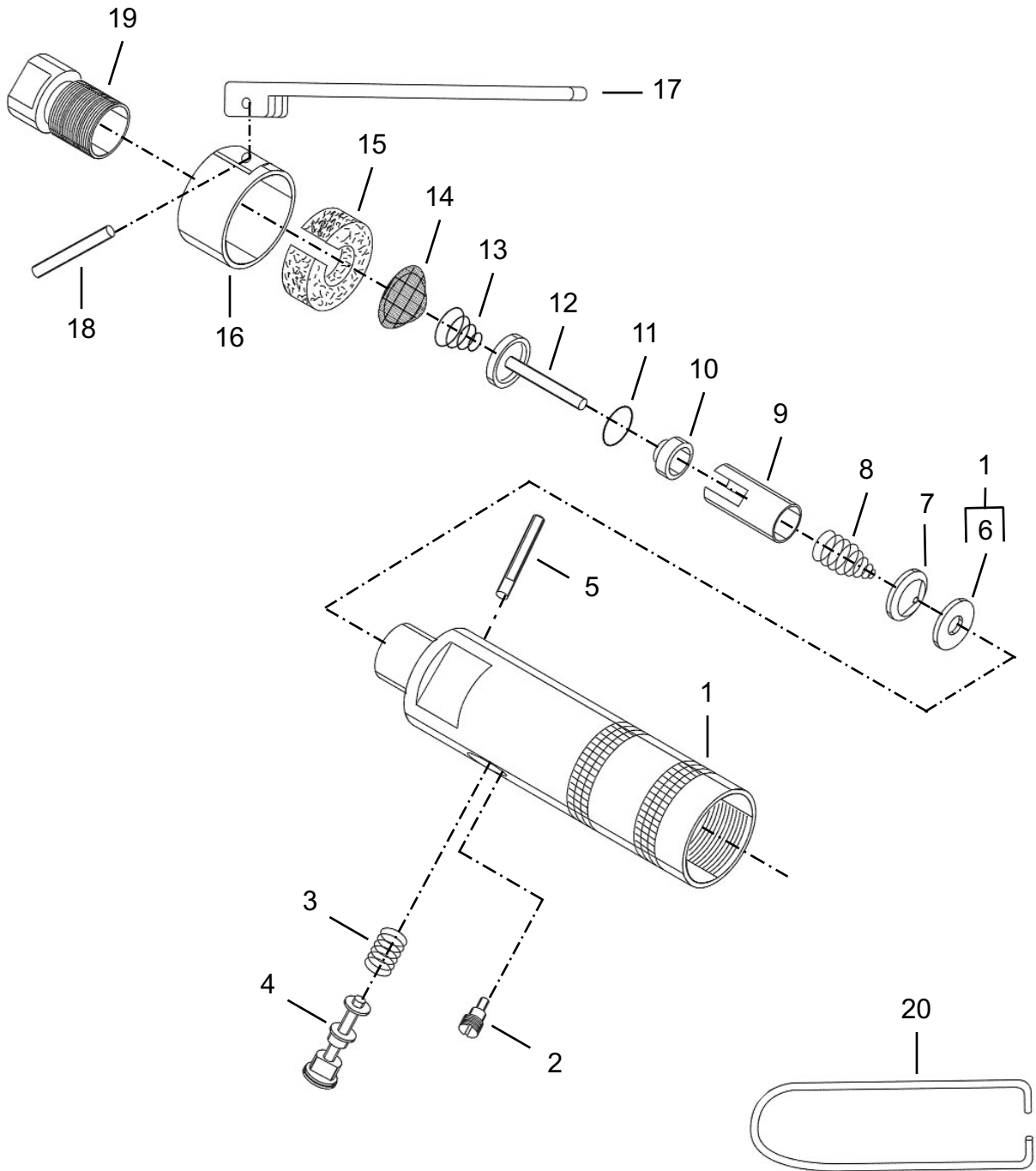
Index #	Description	Qty.	8RSA	Qty.	8SA
--	Handle Assembly	1	861579	1	861705
1	Motor Block		---	1	869234
2	Handle	1	867891	1	869233

(T) Teeth / Zähne / Dents / Dientes / Dente

Cleco®
Lever Handle Assembly

Model:
8RSAL

“B”



Lever Handle Assembly

Illustration, Abbildung, Illustration, Ilustración, Illustrazione "B"

Index	Number	Qty	●	EN	DE	FR	ES	IT
				Description	Benennung	Designation	Description	Description
--	201212	1		Handle Assembly	Montage	Assemblage	Ensamblaje	Assemblaggio
1	869747	1		Handle	Handgriff	Poignée	Manija	Impugnatura
2	867878	1	1	Lock Screw	Halteschraube	Vis de retenue	Tornillo de retención	Vite di fissaggio
3	865770	1	2	Reversing Valve Spring	Ventilfeder	Printemps de soupape	La Primavera de la válvula	Primavera di valvola
4	869253	1		Reversing Valve	Umsteuerventil	Vanne de renversement	Válvula de inversión	Valvola di reversibilità
5	869748	1		Lever Pin	Stift	Goupille cylindrique	Pasador	Spina
6	869201	1		Shut Off Valve Seal	Dichtung	Sceau	Sello	Guarnizione
7	869751	1		Shut Off Valve	Ventil	Soupape	Válvula	Valvola
8	202951	1	2	Shut Off Valve Spring	Ventilfeder	Printemps de soupape	La Primavera de la válvula	Primavera di valvola
9	869754	1		Shut Off Valve Bushing	Lagerbuchse	Douille	Casquillo	Boccola
10	867006	1		Valve Seat	Ventilsitz	Siège de soupape	Asiento de la válvula	Sede valvola
11	863399	1	3	O-Ring	O-Ring	Joint torique	Anillo "O"	Anello ad O
12	867005	1		Throttle Valve	Drosselventil	Papillon	Válvula de estrangulación	Valvola di regolazione
13	867007	1	2	Throttle Valve Spring	Ventilfeder	Printemps de soupape	La Primavera de la válvula	Primavera di valvola
14	203043	1	3	Inlet Screen	Bildschirm	Ecran	Criba	Schermo
15	869510	1	3	Muffler	Schalldämpfer	Silencieux	Silenciador	Silenziatore
16	207246	1		Exhaust Deflector	Auspuffblende	Défecteur d'échappement	Deflector de escape	Deflettore di scarico
17	867877	1		Lever	Hebel	Levier	Palanca	Leva
18	202410	1	1	Lever Pin	Stift	Goupille cylindrique	Pasador	Spina
19	869753	1	1	Inlet Bushing	Einlaß Buchse	Bushing d'arrivée	Buje de cala	Bushing di apertura
20	412603	1		Suspension Bail	Aufhängebügel	Etrier de suspension	Estribo de la suspensión	Staffa di sospensione

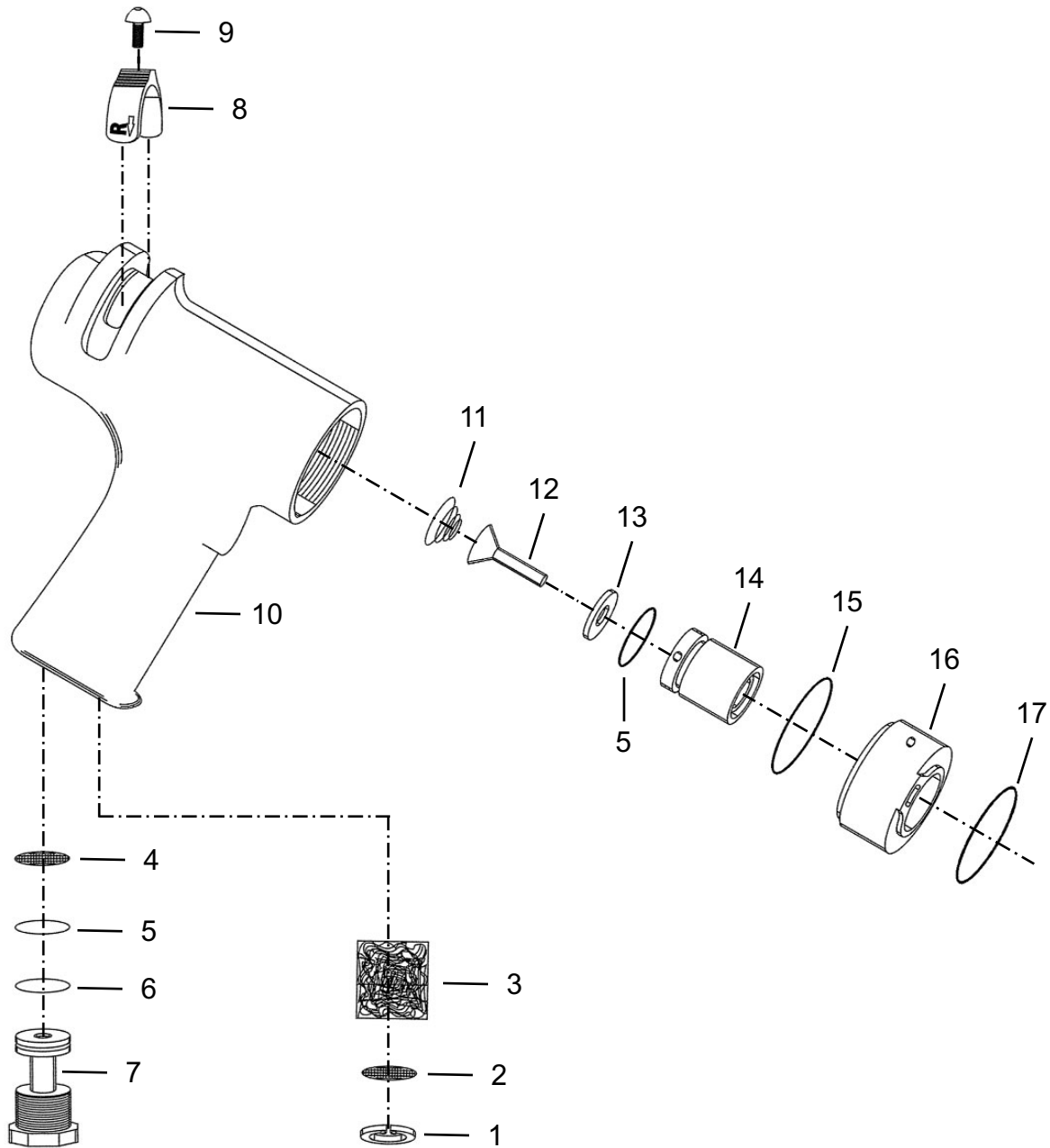
(Qty) Quantity / Stückzahl / Quantité / Cantidad / Quantità

(●) Recommended Spare Parts / Kennzeichnet empfohlenes / Identifica un particolare di ricambio raccomandato / Designa el repuesto recomendado / Indique la pièce de rechange conseillée.

Cleco®
Pistol Handle Assembly - without Trigger

Model:
8RSAP

“C”



Pistol Handle Assembly - without Trigger

Illustration, Abbildung, Illustration, Ilustración, Illustrazione "C"

Index	Number	Qty	●	EN	DE	FR	ES	IT
				Description	Benennung	Designation	Description	Description
--	201190	1		Handle Assembly	Montage	Assemblage	Ensamblaje	Assemblaggio
1	847033	1	2	Retainer Ring	Sicherungsring	Anneau de fixation	Anillo de retención	Anello di fissaggio
2	833303	1	3	Muffler Screen	Bildschirm	Ecran	Criba	Schermo
3	932224	1	3	Muffler	Schalldämpfer	Silencieux	Silenciador	Silenziatore
4	412775	1	3	Air Inlet Screen	Bildschirm	Ecran	Criba	Schermo
5	847272	2	6	O- Ring	O-Ring	Joint torique	Anillo "O"	Anello ad O
6	847411	1	3	O- Ring	O-Ring	Joint torique	Anillo "O"	Anello ad O
7	867929	1	1	Air Inlet Bushing	Einlaß Buchse	Bushing d'arrivée	Buje de cala	Bushing di apertura
8	869852	1		Reversing Knob	Drehknopf	Bouton	Perilla	Manopola
9	613749	1	1	Screw	Schraube	Vis	Tornillo	Vite
10	202771	1		Reversible Handle	Umschaltbarer Handgriff	Poignée Réversible	Manija Reversible	Maniglia Rovesciabile
11	867887	1	2	Shut Off Valve Spring	Ventilfeder	Printemps de soupape	La Primavera de la válvula	Primavera di valvola
12	867901	1		Shut Off Valve	Ventil	Soupape	Válvula	Valvola
13	867889	1		Shut Off Valve Seal	Ventil-Dichtung	Cachet de soupape	Sello de válvula	Sigillo di valvola
14	867899	1		Shut Off Valve Hsng	Ventilgehäuse	Cage de soupape	Caja de la válvula	Corpo valvola
15	867926	1	3	O- Ring	O-Ring	Joint torique	Anillo "O"	Anello ad O
16	867898	1		Reversing Valve	Umsteuerventil	Vanne de renversement	Válvula de inversión	Valvola di reversibilità
17	617290	1	3	O- Ring	O-Ring	Joint torique	Anillo "O"	Anello ad O

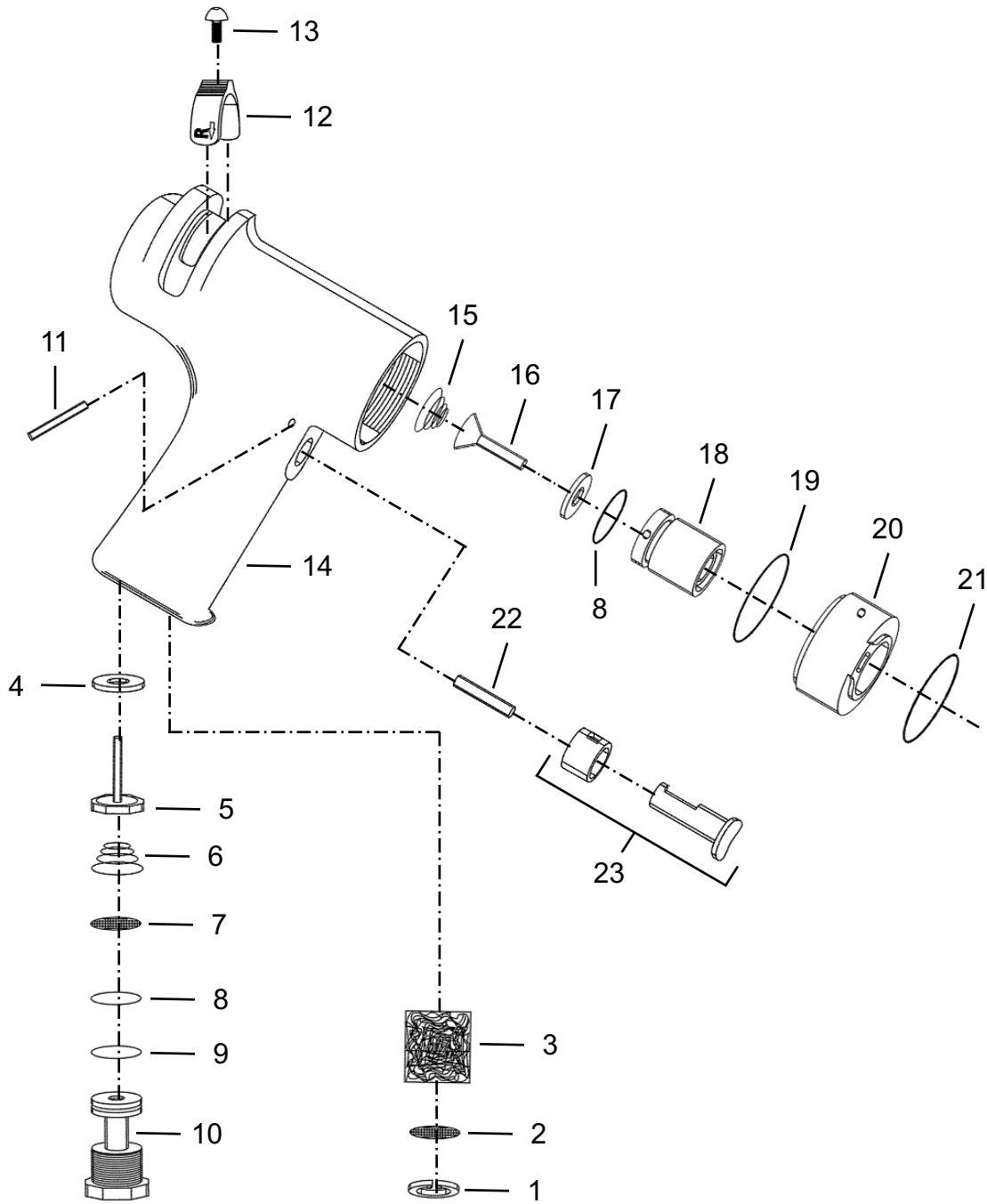
(Qty) Quantity / Stückzahl / Quantité / Cantidad / Quantità

(●) Recommended Spare Parts / Kennzeichnet empfohlenes / Identifica un particolare di ricambio raccomandato / Designa el repuesto recomendado / Indique la pièce de rechange conseillée.

Cleco® Pistol Handle Assembly - with Trigger

“D”

Models:
8RSAPT
8RSATP



Pistol Handle Assembly - with Trigger

Illustration, Abbildung, Illustration, Ilustración, Illustrazione "D"

Index	Number	Qty	●	EN	DE	FR	ES	IT
				Description	Benennung	Designation	Description	Description
--	Table "D"	1		Handle Assembly	Montage	Assemblage	Ensamblaje	Assemblaggio
1	847033	1	2	Retainer Ring	Halteschraube	Vis de retenue	Tornillo de retención	Vite di fissaggio
2	833303	1	3	Muffler Screen	Bildschirm	Ecran	Criba	Schermo
3	867933	1	3	Muffler	Schalldämpfer	Silencieux	Silenciador	Silenziatore
4	202782	1		Valve Seal	Dichtung	Sceau	Sello	Guarnizione
5	869350	1		Throttle Valve	Drosselventil	Papillon	Válvula de estrangulación	Valvola di regolazione
6	202951	1	2	Throttle Valve Spring	Ventilfeder	Printemps de soupape	La Primavera de la válvula	Primavera di valvola
7	412775	1	3	Air Inlet Screen	Bildschirm	Ecran	Criba	Schermo
8	847272	1	3	O-Ring	O-Ring	Joint torique	Anillo "O"	Anello ad O
9	847411	1	3	O-Ring	O-Ring	Joint torique	Anillo "O"	Anello ad O
10	867929	1	1	Air Inlet Bushing	Einlaß Buchse	Bushing d'arrivée	Buje de cala	Bushing di apertura
11	844787	1		Trigger Pin	Stift	Goupille cylindrique	Pasador	Spina
12	869852	1		Reversing Knob	Drehknopf	Bouton	Perilla	Manopola
13	613749	1	1	Screw	Schraube	Vis	Tornillo	Vite
14	202773	1		Handle	Handgriff	Poignée	Manija	Impugnatura
15	Table "D"	1	2	Shut Off Spring	Druckfeder	Ressort	Resorte	Molla
16	867901	1		Shut Off Valve	Ventil	Soupape	Válvula	Valvola
17	867889	1		Shut Off Seal	Dichtung	Sceau	Sello	Guarnizione
18	867899	1		Shut Off Valve Hsg	Ventilgehäuse	Cage de soupape	Caja de la válvula	Corpo valvola
19	867926	1		Air Inlet Bushing	Einlaß Buchse	Bushing d'arrivée	Buje de cala	Bushing di apertura
20	867898	1		Reversing Valve	Umsteuerventil	Vanne de renversement	Válvula de inversión	Valvola di reversibilità
21	617290	1	3	O-Ring	O-Ring	Joint torique	Anillo "O"	Anello ad O
22	867939	1		Throttle Link Pin	Stift	Goupille cylindrique	Pasador	Spina
23	201905	1		Trigger Assembly	Drücker	Déclencheur	Gatillo	Grilletto

(Qty) Quantity / Stückzahl / Quantité / Cantidad / Quantità

(●) Recommended Spare Parts / Kennzeichnet empfohlenes / Identifica un particolare di ricambio raccomandato / Designa el repuesto recomendado / Indique la pièce de rechange conseillée.

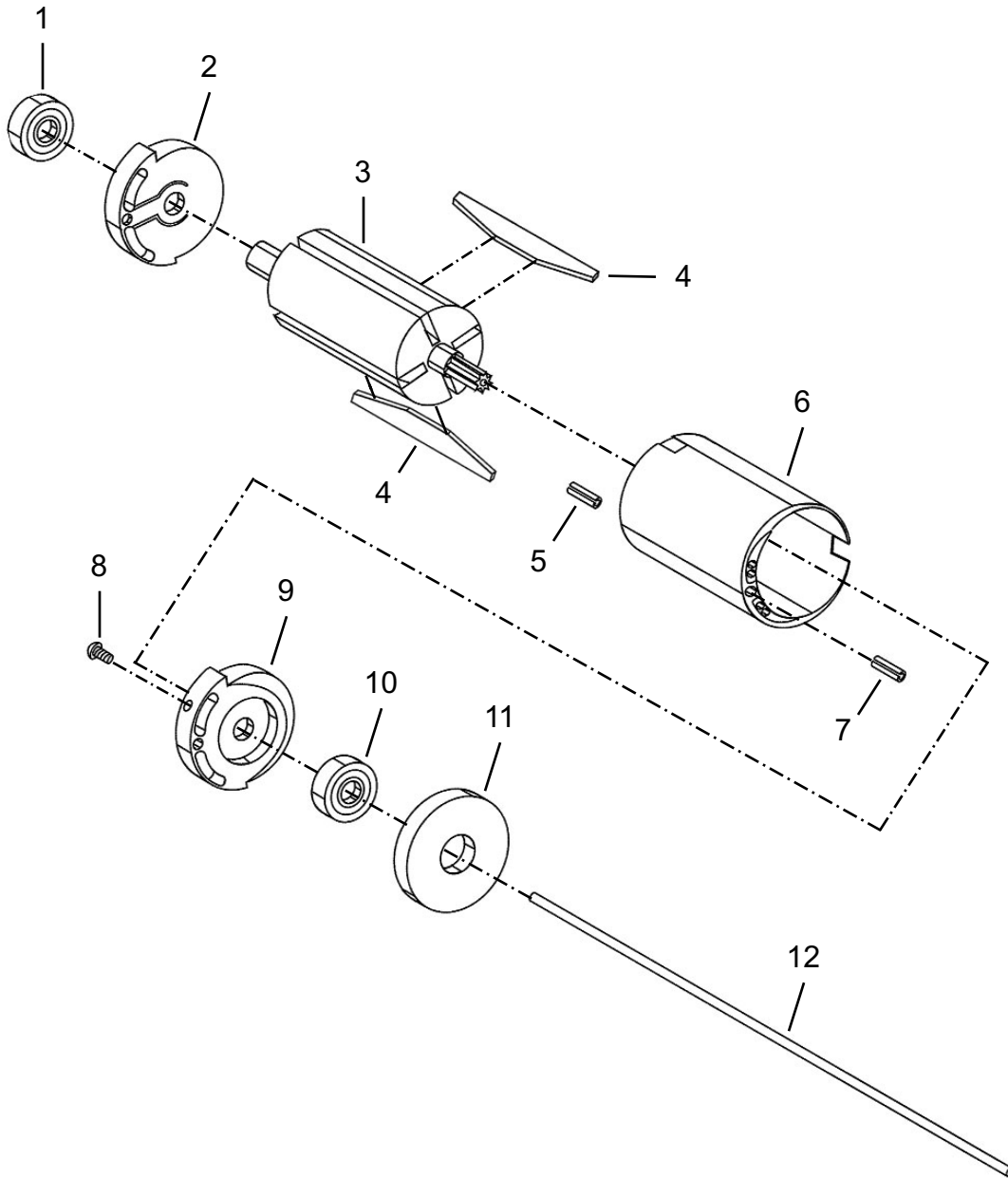
Table, Tabelle, Tableau, Tabla, Tabella "D"

Index #	Description	Qty.	8RSAPT	Qty.	8RSATP
--	Handle Assembly	1	201189	1	201458
15	Shut-Off Spring	1	867887	1	869682

(T) Teeth / Zähne / Dents / Dientes / Dente

Cleco®
Motor Assembly

“E”



Motor Assembly

Illustration, Abbildung, Illustration, Ilustración, Illustrazione "E"

Index	Number	Qty	●	EN	DE	FR	ES	IT
				Description	Benennung	Designation	Description	Description
1	847609	1	2	Rotor Bearing	Lager	Coussinet	Cojinete	Cuscinetto
2	Table "E"	1		Bearing Plate	Tragplatte	Plaque de support	Placa de asiento	Piattello cuscinetto
3	Table "E1"	1		Rotor (6T)	Rotor	Rotor	El rotor	Il rotore
4	863738	4	12	Rotor Blade	Rotorblatt	Palette	Alabe del rotor	Paletta del rotore
5	Table "E"	1		Cylinder Pin	Zylinderstift	Boulon de cylindre	Pasador del cilindro	Spina cilindro
6	Table "E"	1		Cylinder	Zylinder	Cylindre	Cilindro	Cilindro
7	844234	1		Cylinder Pin	Stift	Goupille cylindrique	Pasador	Spina
8	Table "E"	1	1	Alignment Pin	Stift	Goupille cylindrique	Pasador	Spina
9	Table "E1"	1		Bearing Plate	Tragplatte	Plaque de support	Placa de asiento	Piattello cuscinetto
10	Table "E1"	1	2	Rotor Bearing	Lager	Coussinet	Cojinete	Cuscinetto
11	Table "E1"	1		Spacer	Distanzstück	Entretoise	Espaciador	Distanziale
12	Table "E2"	1	1	Trip Rod	Stange	Tige	Varilla	Asta

(Qty) Quantity / Stückzahl / Quantité / Cantidad / Quantità

(●) Recommended Spare Parts / Kennzeichnet empfohlenes / Identifica un particolare di ricambio raccomandato / Designa el repuesto recomendado / Indique la pièce de rechange conseillée.

Table, Tabelle, Tableau, Tabla, Tabella "E"

Index #	Description	Qty.	8RSAP 8RSAPT 8RSATP	Qty.	8RSA 8RSAL	Qty.	8SA
2	Bearing Plate	1	867937	1	867937		867854
5	Cylinder Pin	1	844234	1	812167	1	833718
6	Cylinder	1	867936	1	867936	1	867853
8	Alignment Pin	1	847603		---		---

Table, Tabelle, Tableau, Tabla, Tabella "E1"

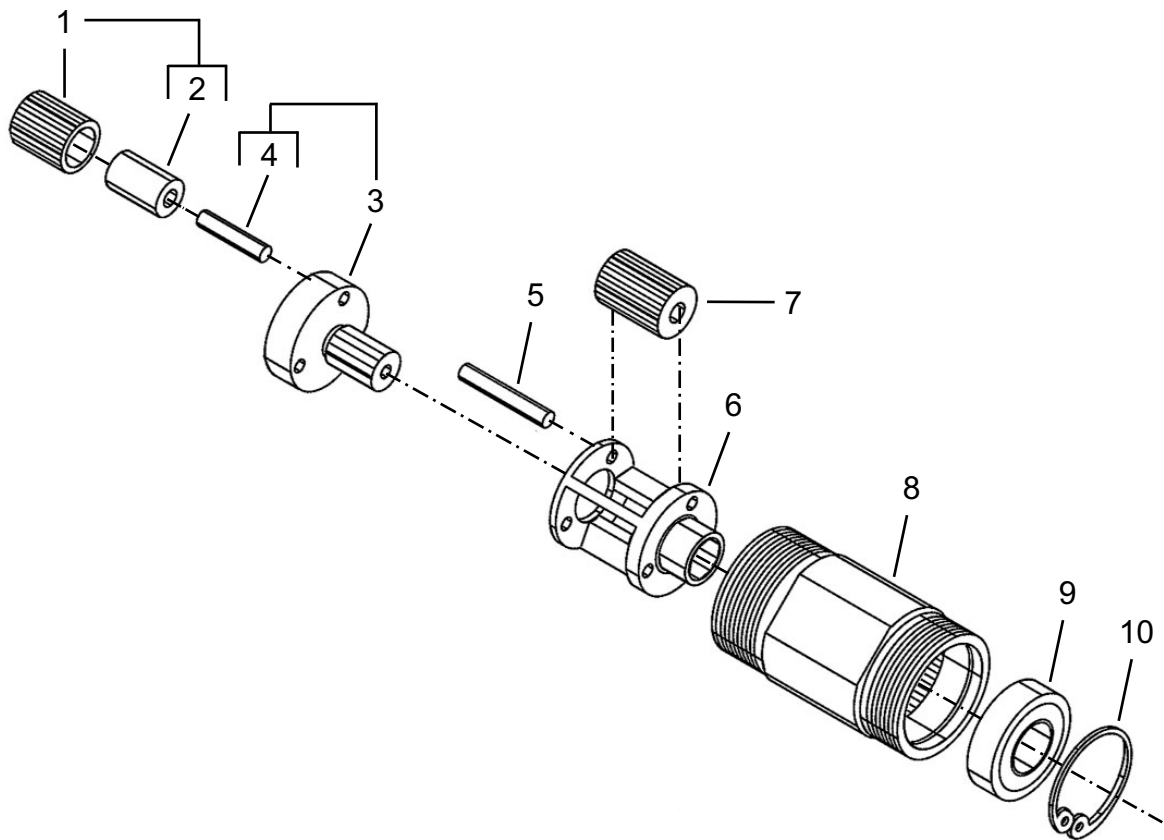
Index #	Description	Qty.	-5, -10, -20, -40	Qty.	-7, -30
3	Rotor	1	867885	1	869178
9	Bearing Plate (Pistol)	1	867935	1	869179
	Bearing Plate (Inline)	1	867855	1	869179
10	Ball Bearing	1	847609	1	847095
11	Motor Spacer	1	867873	1	869180

Table, Tabelle, Tableau, Tabla, Tabella "E2"

Index #	Description	Qty.	8RSA-20BQ 8RSA-30BQ 8RSA-40BQ 8RSAL-20BQ 8RSAP-7BQ 8RSAP-10BQ 8RSAPT-10BQ	Qty.	8RSAPT-5BQ 8RSAPT-7BQ 8RSAPT-10BQ 8RSATP-5BQ 8RSATP-7BQ 8SA-20BQ	Qty.	8RSA-10 8RSA-10BQ 8RSA-5BQ 8RSA-7BQ 8RSAL-20 8SA-10 8SA-10BQ 8SA-7BQ	Qty.	8RSA-20 8RSA-30 8RSA-40 8RSATP-5B	Qty.	8RSAP-20BQ 8RSAPT-20BQ 8RSAPT-40BQ 8RSATP-20BQ 8RSATP-30BQ	Qty.	8RSAL-10BQ
12	Trip Rod	1	202768	1	202768	1	867897	1	869052	1	869053	1	869750

(T) Teeth / Zähne / Dents / Dientes / Dente

“F”



Gear Train Assembly: -5

Illustration, Abbildung, Illustration, Ilustración, Illustrazione "F"

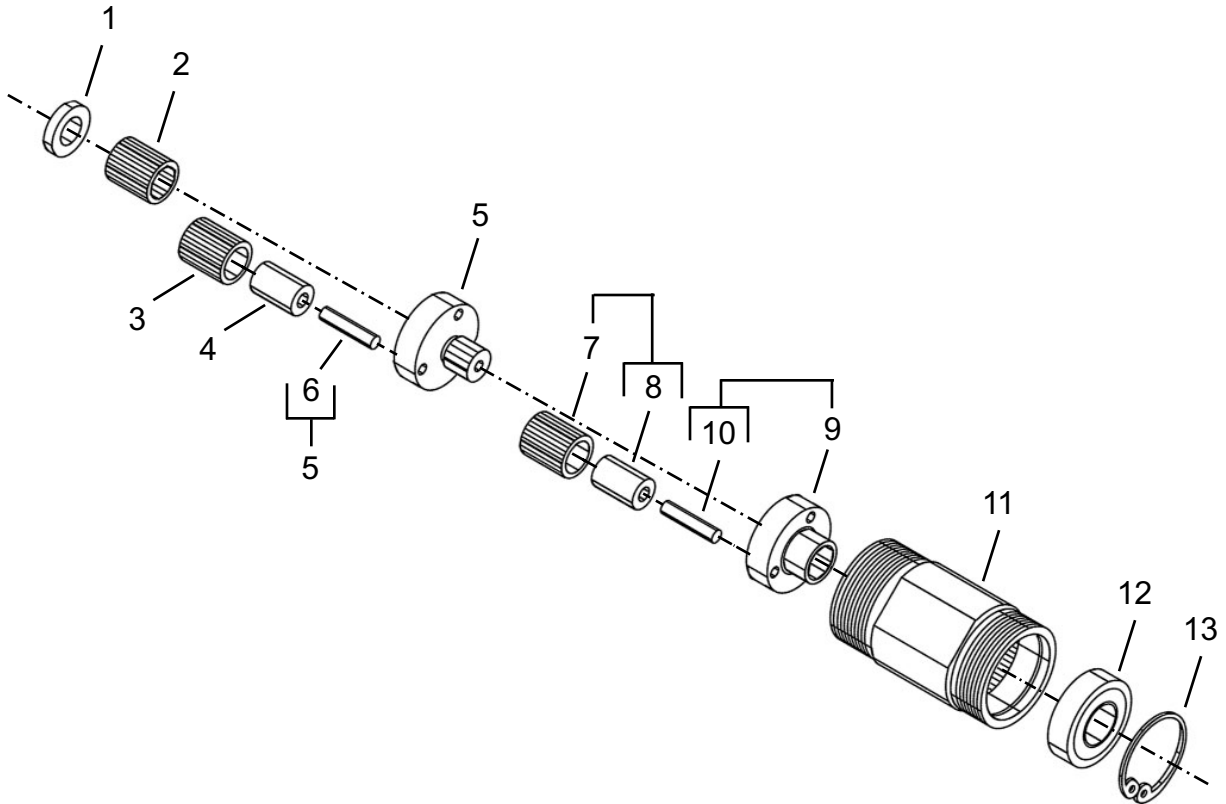
Index	Number	Qty	●	EN	DE	FR	ES	IT
				Description	Benennung	Designation	Description	Description
--	861718	1		Gear Sub-Asm.	Montage	Assemblage	Ensamblaje	Assemblaggio
1	869254	3	6	Gear	Getriebe	Engrenage	Engranaje	Ingranaggio
2	867921	3	6	Gear Bushing	Lagerbuchse	Douille	Casquillo	Boccola
3	869256	1		Planet Cage	Planetenradträger	Porte-satellites	Portaengranajes	Corpo planetario
4	867922	3	6	Gear Pin	Stift	Goupille cylindrique	Pasador	Spina
5	842728	3	6	Planet Gear Pin	Stift	Goupille cylindrique	Pasador	Spina
6	869257	1		Planet Cage	Planetenradträger	Porte-satellites	Portaengranajes	Corpo planetario
7	869255	3	6	Gear	Getriebe	Engrenage	Engranaje	Ingranaggio
8	867907	1		Gear Case	Getriebegehäuse	Couvre-engrenages	Caja de engranaje	Scatola ingranaggio
9	847147	1	2	Bearing	Lager	Coussinet	Cojinete	Cuscinetto
10	844364	1	1	Retainer Ring	Sicherungsring	Anneau de fixation	Anillo de retención	Anello di fissaggio

(Qty) Quantity / Stückzahl / Quantité / Cantidad / Quantità

(●) Recommended Spare Parts / Kennzeichnet empfohlenes / Identifica un particolare di ricambio raccomandato / Designa el repuesto recomendado / Indique la pièce de rechange conseillée.

Cleco®
Gear Train Assembly: -7, -10

“G”



Gear Train Assembly: -7, -10

Illustration, Abbildung, Illustration, Ilustración, Illustrazione "G"

Index	Number	Qty	●	EN	DE	FR	ES	IT
				Description	Benennung	Designation	Description	Description
--	Table "G"	1		Gear Sub-Asm.	Montage	Assemblage	Ensamblaje	Assemblaggio
1	869584	1		Pinion Gear	Ritzelgetriebe	Pignon d'entraînement	Piñon diferencial	Ingranaggio a pignone
2	Table "G"	1	2	Rotor Pinion	Pinion	Pignon	Piñón	Il pignone
3	Table "G"	3	6	Gear	Getriebe	Engrenage	Engranaje	Ingranaggio
4	Table "G"	3	6	Gear Bushing	Lagerbuchse	Douille	Casquillo	Boccola
5	Table "G"	1		Planet Cage	Planetenradträger	Porte-satellites	Portaengranajes	Corpo planetario
6	Table "G"	3	6	Gear Pin	Stift	Goupille cylindrique	Pasador	Spina
7	867904	3	6	Gear (15T)	Getriebe	Engrenage	Engranaje	Ingranaggio
8	203062	3		Gear Bushing	Lagerbuchse	Douille	Casquillo	Boccola
9	867906	1		Planet Cage	Planetenradträger	Porte-satellites	Portaengranajes	Corpo planetario
10	832128	3	6	Gear Pin	Stift	Goupille cylindrique	Pasador	Spina
11	867907	1		Gear Case	Getriebegehäuse	Couvre-engrenages	Caja de engranaje	Scatola ingranaggio
12	847147	1	2	Bearing	Lager	Coussinet	Cojinete	Cuscinetto
13	844364	1	1	Retainer Ring	Sicherungsring	Anneau de fixation	Anillo de retención	Anello di fissaggio

(Qty) Quantity / Stückzahl / Quantité / Cantidad / Quantità

(●) Recommended Spare Parts / Kennzeichnet empfohlenes / Identifica un particolare di ricambio raccomandato / Designa el repuesto recomendado / Indique la pièce de rechange conseillée.

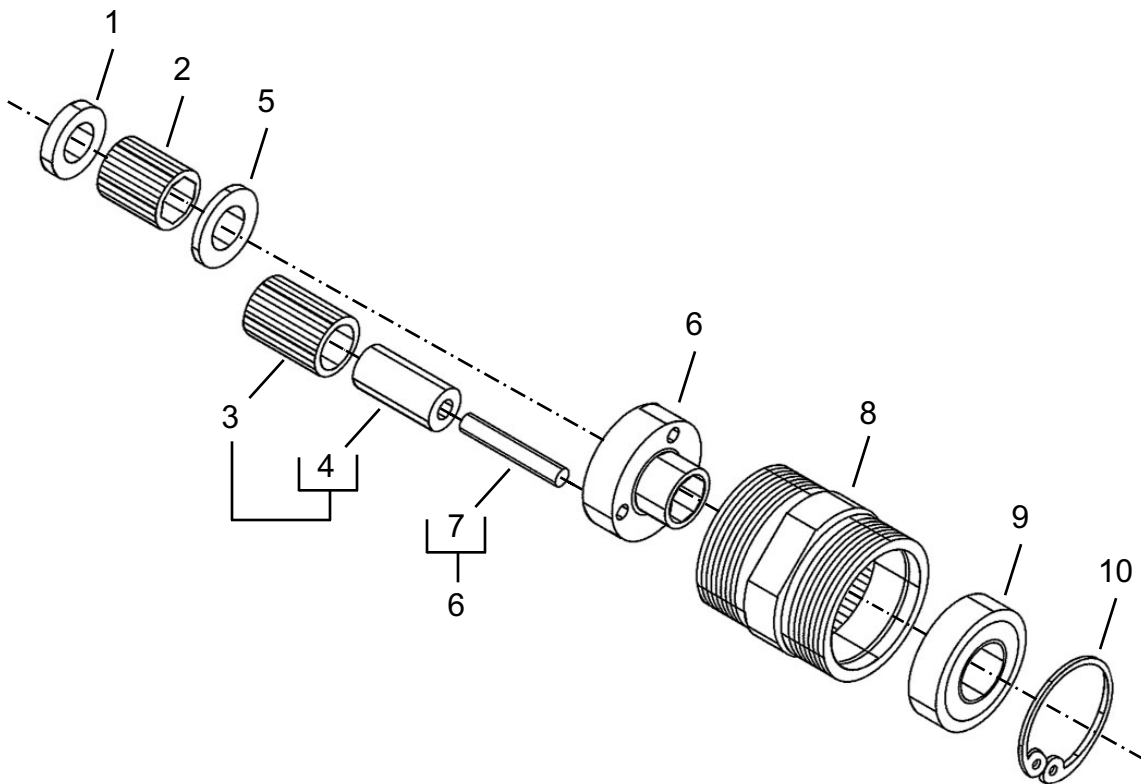
Table, Tabelle, Tableau, Tabla, Tabella "G"

Index #	Description	Qty.	--7	Qty.	--10
--	Gear Sub-Asm	1	861719	1	861578
2	Pinion Gear		---	1	867902
3	Idler Gear	3	869258	3	867903
4	Bushing	3	867921	3	867925
5	Planet Cage	1	869259	1	867905
6	Gear Pin	3	867922	3	884125

(T) Teeth / Zähne / Dents / Dientes / Dente

Cleco®
Gear Train Assembly: -20, -30, -40

“H”



Gear Train Assembly: -20, -30, -40

Illustration, Abbildung, Illustration, Ilustración, Illustrazione "H"

Index	Number	Qty	●	EN	DE	FR	ES	IT
				Description	Benennung	Designation	Description	Description
--	Table "H"	1		Gear Sub-Asm.	Montage	Assemblage	Ensamblaje	Assemblaggio
1	Table "H"	1		Pinion Spacer	Distanzstück	Entretoise	Espaciador	Distanziale
2	Table "H"	1	2	Pinion Gear	Ritzelgetriebe	Pignon d'entraînement	Piñon diferencial	Ingranaggio a pignone
3	Table "H"	3	6	Idler Gear	Zwischenzahnrad	Engrenage secondaire	Engranaje secundario	Ingranaggio intermedio
4	Table "H"	1		Gear Bearing	Lager	Coussinet	Cojinete	Cuscinetto
5	Table "H"	1		Thrust Washer	Druckscheibe	Rondelle de butée	Arandela de empuje	Rondella di spinta
6	Table "H"	1		Planet Cage	Planetenradträger	Porte-satellites	Portaengranajes	Corpo planetario
7	867922	3	6	Idler Gear Pin	Stift	Goupille cylindrique	Pasador	Spina
8	867871	1		Gear Case	Getriebegehäuse	Couvre-engrenages	Caja de engranaje	Scatola ingranaggio
9	847147	1	2	Bearing	Lager	Coussinet	Cojinete	Cuscinetto
10	844364	1	1	Retaining Ring	Sicherungsring	Anneau de fixation	Anillo de retención	Anello di fissaggio

(Qty) Quantity / Stückzahl / Quantité / Cantidad / Quantità

(●) Recommended Spare Parts / Kennzeichnet empfohlenes / Identifica un particolare di ricambio raccomandato / Designa el repuesto recomendado / Indique la pièce de rechange conseillée.

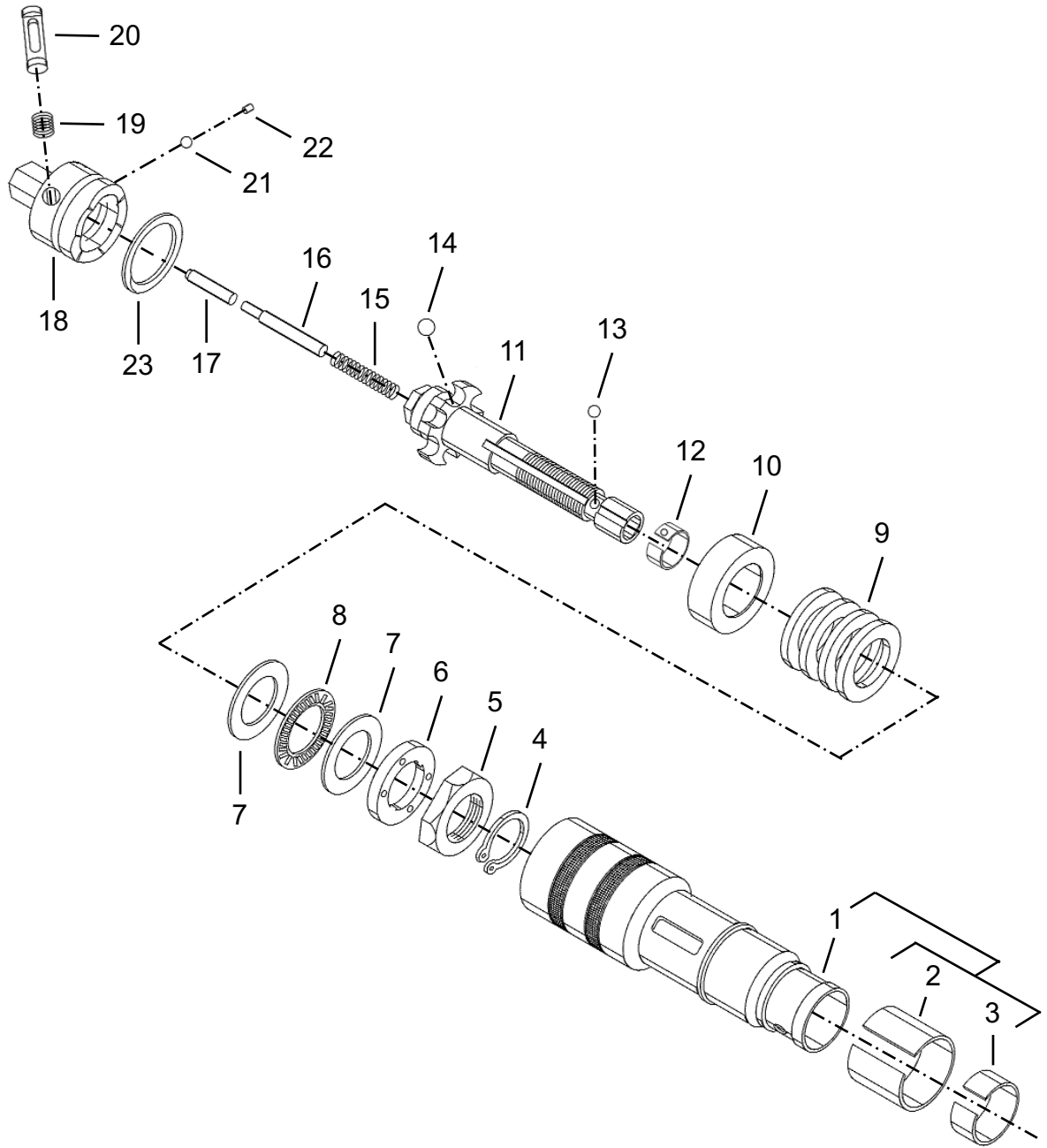
Table, Tabelle, Tableau, Tabla, Tabella "H"

Index #	Description	Qty.	-- 20	Qty.	-- 30	Qty.	-- 40
--	Gear Sub-Asm	1	861573	1	861680	1	861928
1	Pinion Spacer		---		---	1	869584
2	Pinion Gear		---		---	1	865862
3	Idler Gear	3	867866	3	869181	3	869554
4	Gear Bearing	3	867921	3	867921		---
5	Thrust Washer		---		---	1	869949
6	Planet Cage	1	867872	1	869182	1	869945

(T) Teeth / Zähne / Dents / Dientes / Dente

861587 Bit and Finder Clutch Assembly

“1”



861587 Bit and Finder Clutch Assembly

Illustration, Abbildung, Illustration, Ilustración, Illustrazione "I"

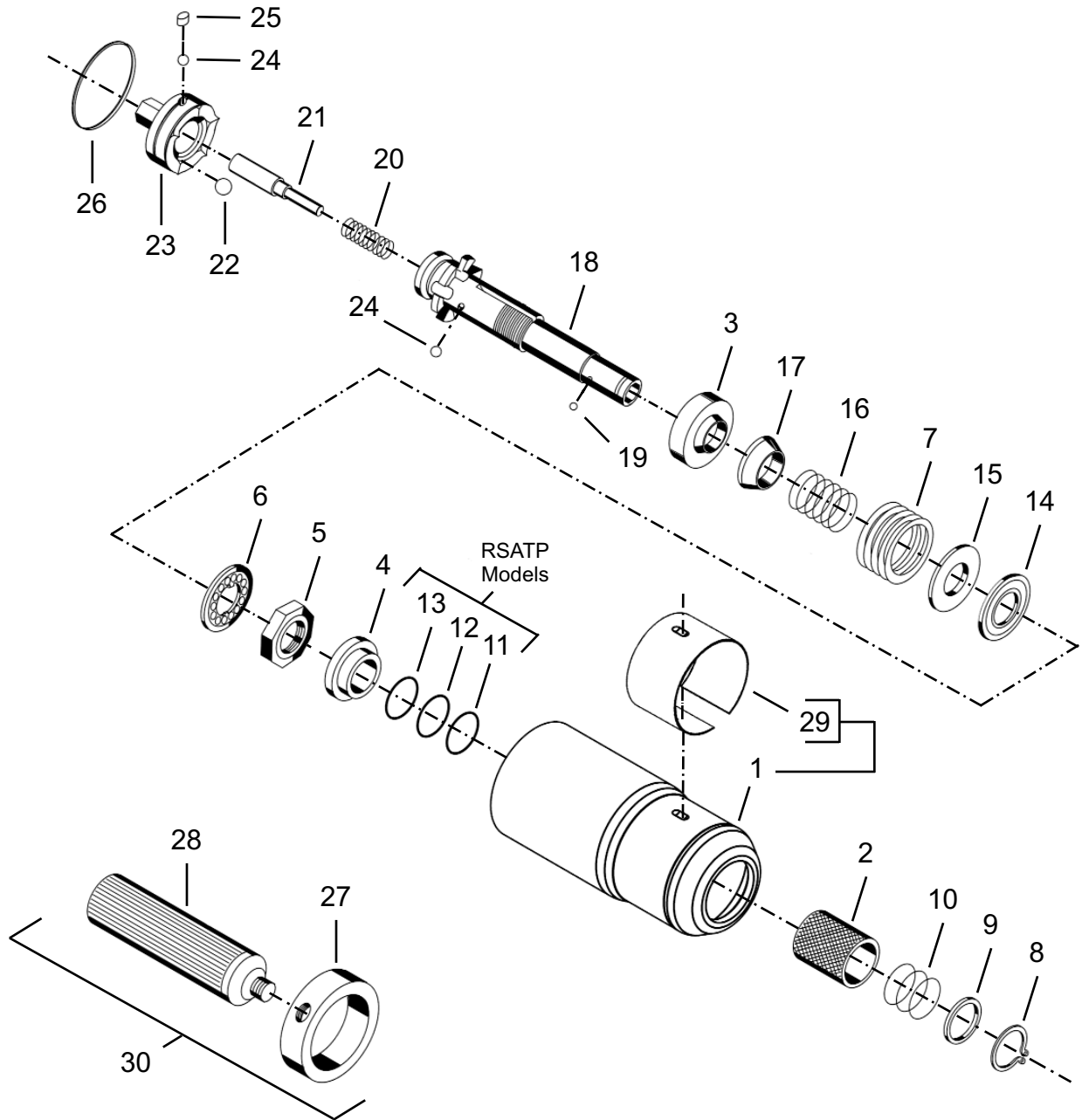
Index	Number	Qty	●	EN	DE	FR	ES	IT
				Description	Benennung	Designation	Description	Description
--	861587	1		Clutch Assembly	Montage	Assemblage	Ensamblaje	Assemblaggio
1	869952	1		Clutch Housing	Kupplungsgehäuse	Cage d'embrayage	Caja del embragüe	Corpo frizione
2	202839	1		Adjustment Cover	Deckel	Couvercle	Cubierta	Coperchio
3	841284	1		Finder Retainer	Haltevorrichtung	Bague d'arrêt	Retén	Fermo
4	412055	1	1	Retainer Ring	Sicherungsring	Anneau de fixation	Anillo de retención	Anello di fissaggio
5	867875	1		Adjustment Nut	Stellmutter	Stellmutter	Tuerca ajustadora	Dado di regolazione
6	867876	1		Adjustment Lock Ring	Verschlussring	Bague de verrouillage	Anillo de cierre	Anello di bloccaggio
7	863455	2		Bearing Race	Kugellagerlaufring	Bague de roulement	Anillo guía del cojinete	Pista di cuscinetto
8	847104	1	3	Thrust Bearing	Drucklager	Palier de butée	Cojinete de empuje	Cuscinetto assiale
9	867938	1	1	Torque Spring	Drehmomentfeder	Ressort de torsion	Resorte de torsión	Molla di torsione
10	867881	1		Ball Retainer	Kugelkäfig	Cage de roulement à billes	Retén de bolas	Gabbia sfere
11	867894	1		Clutch Spindle	Kupplungsspindel	Broche d'embrayage	Espiga de embragüe	Alberino frizione
12	847114	1		Bit Ball Retainer	Kugelkäfig	Cage de roulement à billes	Retén de bolas	Gabbia sfere
13	844265	1	3	Steel Ball (1/8")	Stahlkugel	Bloom d'acier	Bola de acero	Sfera in acciaio
14	842162	6	12	Steel Ball (1/4")	Stahlkugel	Bloom d'acier	Bola de acero	Sfera in acciaio
15	867895	1	2	Reset Spring	Rückholfeder	Ressort retendu	Resorte de reposición	Molla di ripristino
16	867888	1		Reset Pin	Stift	Goupille cylindrique	Pasador	Spina
17	867909	1		Sear Pin	Stift	Goupille cylindrique	Pasador	Spina
18	867892	1		Clutch Cam	Nocken	Came	Leva	Camma
19	867896	1	2	Plunger Spring	Druckfeder	Ressort	Resorte	Molla
20	867886	1		Sear Plunger	Plunger	Plongeur	Bomba de émbolo	Pistone
21	844265	1	3	Steel Ball (1/8")	Stahlkugel	Bloom d'acier	Bola de acero	Sfera in acciaio
22	867908	1	3	Ball Retainer Plug	Buchse	Bouchon	Tapón	Spina
23	867923	1	1	Ball Retainer Ring	Sicherungsring	Anneau de fixation	Anillo de retención	Anello di fissaggio

(Qty) Quantity / Stückzahl / Quantité / Cantidad / Quantità

(●) Recommended Spare Parts / Kennzeichnet empfohlenes / Identifica un particolare di ricambio raccomandato / Designa el repuesto recomendado / Indique la pièce de rechange conseillée.

Cleco®
201389 Quick Change Clutch Assembly

“J”



201389 Quick Change Clutch Assembly

Illustration, Abbildung, Illustration, Ilustración, Illustrazione "J"

Index	Number	Qty	●	EN	DE	FR	ES	IT
				Description	Benennung	Designation	Description	Description
1	207241*	1		Clutch Housing	Kupplungsgehäuse	Cage d'embrayage	Caja del embragüe	Corpo frizione
2	202833	1		Release Collar	Bund	Collier	Collar	Collare
3	203272	1		Ball Retainer	Kugelkäfig	Cage de roulement à billes	Retén de bolas	Gabbia sfere
4	202756	1		Spindle Bushing	Lagerbuchse	Douille	Casquillo	Boccola
5	202755	1		Adjustment Nut	Mutter	Ecrou	Tuerca	Dado
6	202754	1		Adjustment Plate	Platte	Plaque	Placa	Piattello
7	Table "J"	1	1	Torque Spring	Druckfeder	Ressort	Resorte	Molla
8	833688	1	1	Retaining Ring	Sicherungsring	Anneau de fixation	Anillo de retención	Anello di fissaggio
9	864249	1		Washer	Scheibe	Rondelle	Arandela	Rondella
10	202842	1	2	Release Spring	Druckfeder	Ressort	Resorte	Molla
11	863009*	1	3	O-Ring	O-Ring	Joint torique	Anillo "O"	Anello ad O
12	844313	1	3	O-Ring	O-Ring	Joint torique	Anillo "O"	Anello ad O
13	844315*	1	3	O-Ring	O-Ring	Joint torique	Anillo "O"	Anello ad O
14	847596	1	2	Thrust Bearing	Drucklager	Palier de butée	Cojinete de empuje	Cuscinetto assiale
15	202753	1		Thrust Race	Drucklager	Butée à billes	Canal de empuje	Canale di spinta
16	202752	1	2	Release Spring	Druckfeder	Ressort	Resorte	Molla
17	203271	1		Release Sleeve	Hülse	Douille	Manguito	Manicotto
18	202744	1		Spindle - "Q" Model	Spindel	Arbre	Husillo	Mandrino
19	844265	1	3	Steel Ball (1/8")	Stahlkugel	Bloom d'acier	Bola de acero	Sfera in acciaio
20	202746	1	2	Reset Spring	Rückholfeder	Ressort retendu	Resorte de reposición	Molla di ripristino
21	202745	1		Trip Plunger	Plunger	Plongeur	Bomba de émbolo	Pistone
22	844077	5	10	Steel Ball (5/16")	Stahlkugel	Bloom d'acier	Bola de acero	Sfera in acciaio
23	203270	1		Clutch Cam	Nocken	Came	Leva	Camma
24	842161	15	30	Steel Ball (3/16")	Stahlkugel	Bloom d'acier	Bola de acero	Sfera in acciaio
25	202748	1	2	Ball Plug	Buchse	Bouchon	Tapón	Spina
26	202749	1	2	Retaining Ring	Sicherungsring	Anneau de fixation	Anillo de retención	Anello di fissaggio
27	869304*	1		Dead Handle Ring	Ring	Bague	Anillo	Anello
28	881393*	1		Dead Handle	Toter Griff	Poignée morte	El Asidero muerto	Il Manico morto
29	204867	1		Adjustment Cover	Deckel	Couvercle	Cubierta	Coperchio
30	861006*	1		Dead Handle Sub-Assembly	Montage	Assemblage	Ensamblaje	Assemblaggio

(Qty) Quantity / Stückzahl / Quantité / Cantidad / Quantità

(●) Recommended Spare Parts / Kennzeichnet empfohlenes / Identifica un particolare di ricambio raccomandato / Designa el repuesto recomendado / Indique la pièce de rechange conseillée.

(*) Note: Not included in clutch assembly.

Table, Tabelle, Tableau, Tabla, Tabella "J"

Torque Spring			
Torque Range			
Index #	In. Lbs.	Nm.	Color
202822**	15-55	2-6	Green
869306	35-160	4-18	Yellow
869305	60-180	7-20	Red

(**) Note: Standard Spring

Sales & Service Centers

Note: All locations may not service all products. Please contact the nearest Sales & Service Center for the appropriate facility to handle your service requirements.

Dallas, TX
**Apex Tool Group
Sales & Service Center**
1470 Post & Paddock
Grand Prairie, TX 75050
Tel: 972-641-9563
Fax: 972-641-9674

Detroit, MI
**Apex Tool Group
Sales & Service Center**
2630 Superior Court
Auburn Hills, MI 48326
Tel: 248-391-3700
Fax: 248-391-7824

Houston, TX
**Apex Tool Group
Sales & Service Center**
6550 West Sam Houston
Parkway North, Suite 200
Houston, TX 77041
Tel: 713-849-2364
Fax: 713-849-2047

Lexington, SC
Apex Tool Group
670 Industrial Drive
Lexington, SC 29072
Tel: 800-845-5629
Tel: 803-951-7544
Fax: 803-358-7681

Los Angeles, CA
**Apex Tool Group
Sales & Service Center**
15503 Blackburn Avenue
Norwalk, CA 90650
Tel: 562-623-4457
Fax: 562-802-1718

Seattle, WA
**Apex Tool Group
Sales & Service Center**
2865 152nd Avenue N.E.
Redmond, WA 98052
Tel: 425-497-0476
Fax: 425-497-0496

York, PA
**Apex Tool Group
Sales & Service Center**
3990 East Market Street
York, PA 17402
Tel: 717-755-2933
Fax: 717-757-5063

Canada
**Apex Tool Group
Sales & Service Center**
5925 McLaughlin Road
Mississauga, Ont. L5R 1B8
Canada
Tel: 905-501-4785
Fax: 905-501-4786

Germany
Cooper Power Tools
GmbH & Co. OHG
a company of
Apex Tool Group, LLC
Industriestraße 1
73463 Westhausen
Germany
Tel: +49 (0) 73 63 81 0
Fax: +49 (0) 73 63 81 222

England
Cooper Power Tools
GmbH & Co. OHG
a company of
Apex Tool Group, LLC
C/O Spline Gauges
Piccadilly, Tamworth
Staffordshire B78 2ER
United Kingdom
Tel: +44 1827 8741 28
Fax: +44 1827 8741 28

France
Cooper Power Tools SAS
a company of
Apex Tool Group, LLC
25 rue Maurice Chevalier
77330 Ozoir-La-Ferrière
France
Tel: +33 1 6443 2200
Fax: +33 1 6443 1717

China
Cooper (China) Co., Ltd.
a company of
Apex Tool Group, LLC
955 Sheng Li Road,
Heqing Pudong, Shanghai
China 201201
Tel: +86-21-28994176
Fax: +86-21-51118446

Mexico
Cooper Tools
de México S.A. de C.V.
a company of
Apex Tool Group, LLC
Vialidad El Pueblito #103
Parque Industrial Querétaro
Querétaro, QRO 76220
Mexico
Tel: +52 (442) 211-3800
Fax: +52 (442) 103-0443

Brazil
Cooper Tools Industrial Ltda.
a company of
Apex Tool Group, LLC
Av. Liberdade, 4055
Zona Industrial - Iporanga
SP Brazil
Tel: +55 15 2383929
Fax: +55 15 2383260

Hungary
Cooper Tools Hungaria Kft.
a company of
Apex Tool Group, LLC
Berkenyefa sor 7
Pf: 640
9027 Győr
Hungary
Tel: +36 96 66 1383
Fax: +36 96 66 1135

Apex Tool Group, LLC
1000 Lufkin Road
Apex, NC 27539
Phone: 919-387-0099
Fax: 919-387-2614
www.apextoolgroup.com

Cleco®