

Parts Manual
45-8164EN
PL30-1220
02/14/2012

DOTCO®

12-20 Series
Inline and Extended Grinders



For additional product information visit our website at <http://www.apextoolgroup.com>

	12	X	2	X	XX	-	XX	XX	OH																																								
<p><u>Product Classification</u> 12 = Ergonomic Grinder/Sander</p>																																																	
<p><u>Throttle Type</u> L = Locking Lever S = Locking Lever</p>																																																	
<p><u>Motor Size</u> 2 = 0.6 hp</p>																																																	
<p><u>Handle Style</u> 0 = Straight 1 = Extended</p>																																																	
<p><u>Speed Options (RPM)</u></p> <table border="0"> <tr> <td>Front Exhaust</td> <td>Rear Exhaust</td> <td colspan="8"></td> </tr> <tr> <td>00 = 25,000</td> <td>80 = 25,000</td> <td colspan="8"></td> </tr> <tr> <td>01 = 20,000</td> <td>81 = 20,000</td> <td colspan="8"></td> </tr> <tr> <td>02 = 18,000</td> <td>82 = 18,000</td> <td colspan="8"></td> </tr> </table>										Front Exhaust	Rear Exhaust									00 = 25,000	80 = 25,000									01 = 20,000	81 = 20,000									02 = 18,000	82 = 18,000								
Front Exhaust	Rear Exhaust																																																
00 = 25,000	80 = 25,000																																																
01 = 20,000	81 = 20,000																																																
02 = 18,000	82 = 18,000																																																
<p><u>Termination Code</u> 01 = 200 Series Collet 36 = 300 Series Collet (3-piece) 77 = Cone & Plug Wheel (2180 series)</p>																																																	
<p><u>Optional Collet (no extra cost)</u></p> <table border="0"> <tr> <td>08 = 1/8"</td> <td>18 = 9/32"</td> <td>M6 = 6mm</td> <td colspan="7"></td> </tr> <tr> <td>10 = 5/32"</td> <td>20 = 5/16"</td> <td>M8 = 8mm</td> <td colspan="7"></td> </tr> <tr> <td>12 = 3/16"</td> <td>22 = 11/32"</td> <td colspan="8"></td> </tr> <tr> <td>14 = 7/32"</td> <td>24 = 3/8"</td> <td colspan="8"></td> </tr> </table>										08 = 1/8"	18 = 9/32"	M6 = 6mm								10 = 5/32"	20 = 5/16"	M8 = 8mm								12 = 3/16"	22 = 11/32"									14 = 7/32"	24 = 3/8"								
08 = 1/8"	18 = 9/32"	M6 = 6mm																																															
10 = 5/32"	20 = 5/16"	M8 = 8mm																																															
12 = 3/16"	22 = 11/32"																																																
14 = 7/32"	24 = 3/8"																																																
<p><u>Overhose Option (extra cost)</u> OH = Overhose (rear exhaust models only)</p>																																																	

Description and Instructions

Language Version:

This Parts Manual is the ***“Original Instructions”*** intended for all persons who will use or repair these tools.

Product Identification:

Refer to the “Model Nomenclature” page in this document.

Noise and Vibration:

Refer to documents CE-1007DC and CE-1007TD.

General Description:

Air powered inline and extended grinders.

Intended Use:

These grinders are intended for material removal applications. Use only for their designated purpose. Do not use as a hammer, lever or other improper usage that can cause tool damage and operator injury.

Copyright protection:

Apex Tool Group, LLC reserves the right to modify, supplement or improve this document or the product without prior notice. This document may not be reproduced in any way, shape or form, in full or parts thereof, or copied to another natural or machine readable language or to a data carrier, whether electronic, mechanical, optical or otherwise without the express permission of Apex Tool Group, LLC.

General Safety:

Refer to General Safety document, CE-2007 for general safety operating instructions for this equipment.

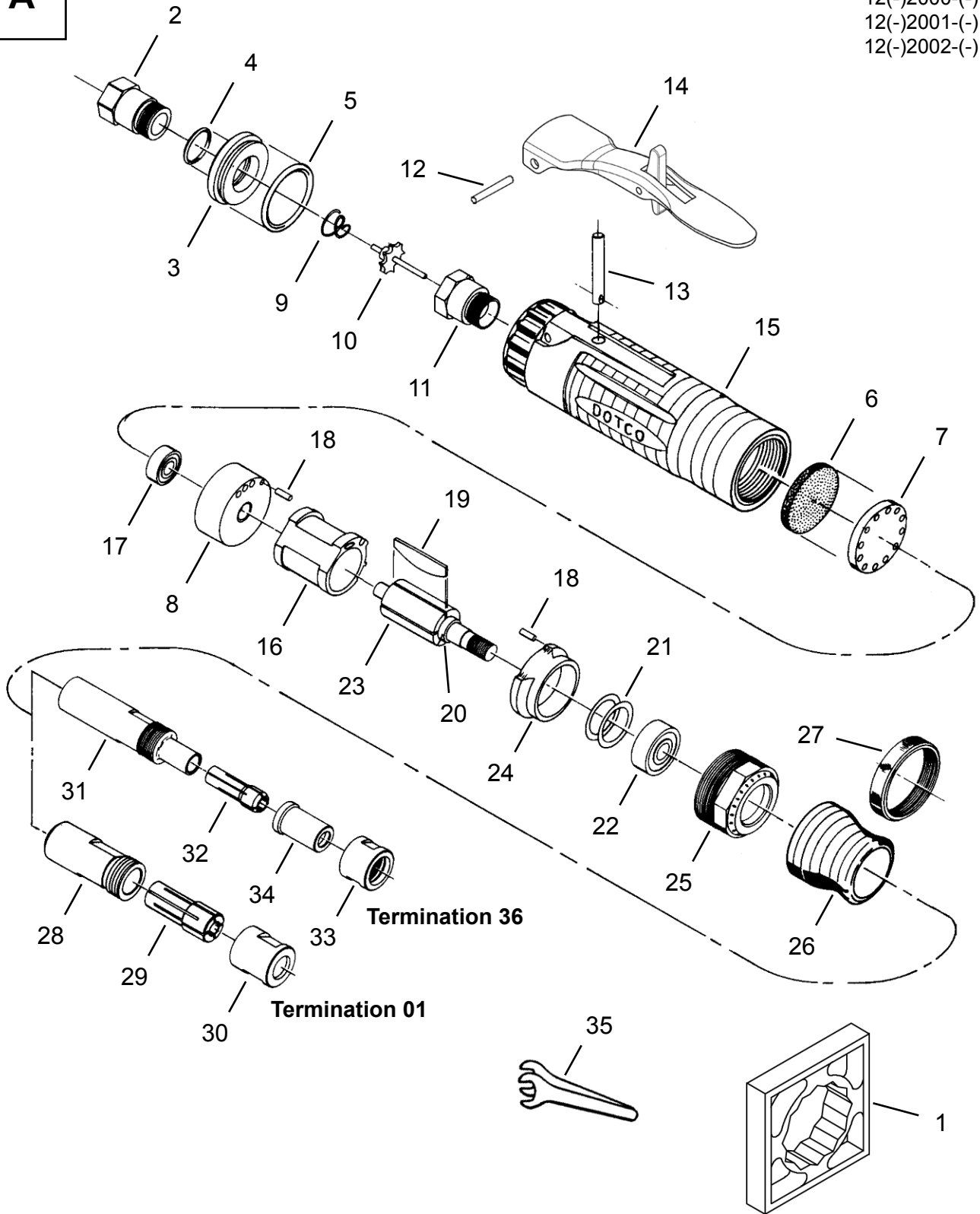
Lubrication:

Refer to lubrication document, PL65-LUB, for general lubrication instructions.

Dotco® Front Exhaust Grinders

Models
12(-)2000(-)
12(-)2001(-)
12(-)2002(-)

“A”



Dotco®
Front Exhaust Grinders

45-8164EN
02/14/2012

Illustration "A"

Ref	Number	#	X	EN	
				Description	
1	14-0851	1		Housing Wrench	
2	01-2505	1	1	Inlet Adapter	
3	01-2506	1		Exhaust Plug	
4	2965PT	1	3	O-Ring	
5	3036PT	1	3	O-Ring	
6	4293	1	3	Filter Disc	
7	01-2016PT	1		Filter Retainer	
8	7003PT	1		Rear End Plate (includes 1 Ref. 18)	
9	01-2519	1	3	Valve Spring	
10	01-2518	1	1	Valve	
11	01-2504	1		Valve Seat	
12	1042	1	1	Lever Pin	
13	01-2517	1	1	Lever Push Rod	
14	01-1267	1	1	Lock-Off Lever Assembly	
15	01-2001PT	1		Motor Housing	
16	2002PT	1		Cylinder	
17	538PT	1	2	Ball Bearing	
18	1041	2	2	Pin	
19	Table "A"	4	12	Rotor Blade	
20	2017PT	1		Rotor Spacer	
21	2488PT	1		Shim Packet	
22	500PT	1	2	Ball Bearing	
23	7005	1		Rotor (includes Ref. 20)	
24	2256	1		Front End Plate (includes 1 Ref. 18)	
25	Table "A"	1		Lock Ring	
26	01-2047PT	1		Collet Guard (long)	
27	01-2050PT	1		Collet Guard (short)	
Termination 01:					
28	2054	1		Chuck Body	
29	208	1	1	Collet (1/4")	
30	2058PT	1		Collet Cap	
35	14-0809	1		Wrench (9/16")	
	14-0812	1		Wrench (3/4")	
Termination 36:					
31	1400PT	1		Chuck Body	
32	308PT	1	1	Collet (1/4")	
33	1058PT	1		Collet Cap	
34	1053PT	1		Nosepiece	
35	14-0807	1		Wrench (7/16")	
	14-0811	1		Wrench (11/16")	

(#) Quantity
(X) Recommended Spare Parts

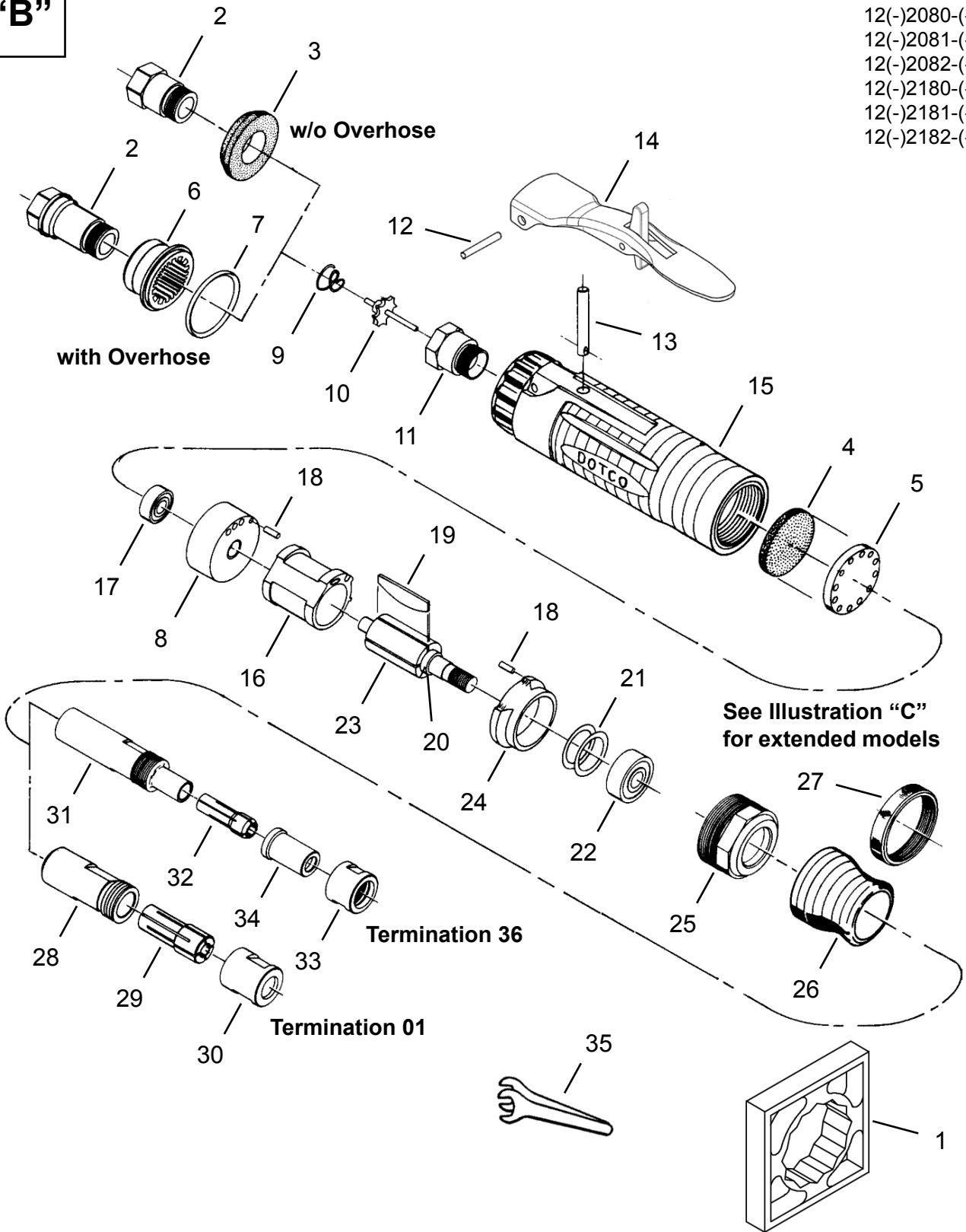
Table "A"

Ref.	Description	#	12(-)2000(-)	#	12(-)2001(-)	#	12(-)2002(-)
19	Rotor Blade	4	2006PT	4	2406	4	2406
25	Lock Ring	1	2014PT	1	2014PT	1	2085PT

Dotco®
Rear Exhaust Grinders

"B"

- Models**
 12(-)2080(-)
 12(-)2081(-)
 12(-)2082(-)
 12(-)2180(-)
 12(-)2181(-)
 12(-)2182(-)



Dotco®
Rear Exhaust Grinders

45-8164EN
02/14/2012

Illustration "B"

Ref	Number	#	X	EN	
				Description	
1	14-0851	1		Housing Wrench	
2	Table "B"	1	1	Inlet Adapter	
3	01-2520	1	1	Diffuser	
4	4293	1	3	Filter Disc	
5	01-2016PT	1		Filter Retainer	
6	01-1032	1	1	Muffler	
7	3036PT	1	3	O-Ring	
8	7003PT	1		Rear End Plate (includes 1 Ref. 18)	
9	01-2519	1	3	Valve Spring	
10	01-2518	1	1	Valve	
11	01-2504	1		Valve Seat	
12	1042	1	1	Lever Pin	
13	01-2517	1	1	Lever Push Rod	
14	01-1267	1	1	Lock-Off Lever Assembly	
15	01-2001PT	1		Motor Housing	
16	2002PT	1		Cylinder	
17	538PT	1	2	Ball Bearing	
18	1041	2	2	Pin	
19	Table "B"	4	12	Rotor Blade	
20	2017PT	1		Rotor Spacer	
21	2488PT	1		Shim Packet	
22	500PT	1	2	Ball Bearing	
23	7005	1		Rotor (includes Ref. 20)	
24	Table "B"	1		Front End Plate (includes 1 Ref. 18)	
25	2445PT	1		Lock Ring	
26	01-2047PT	1		Collet Guard (long)	
27	01-2050PT	1		Collet Guard (short)	
Termination 01:					
28	2054	1		Chuck Body	
29	208	1	1	Collet (1/4")	
30	2058PT	1		Collet Cap	
35	14-0809	1		Wrench (9/16")	
	14-0812	1		Wrench (3/4")	
Termination 36:					
31	1400PT	1		Chuck Body	
32	308PT	1	1	Collet (1/4")	
33	1058PT	1		Collet Cap	
34	1053PT	1		Nosepiece	
35	14-0807	1		Wrench (7/16")	
	14-0811	1		Wrench (11/16")	

(#) Quantity
(X) Recommended Spare Parts

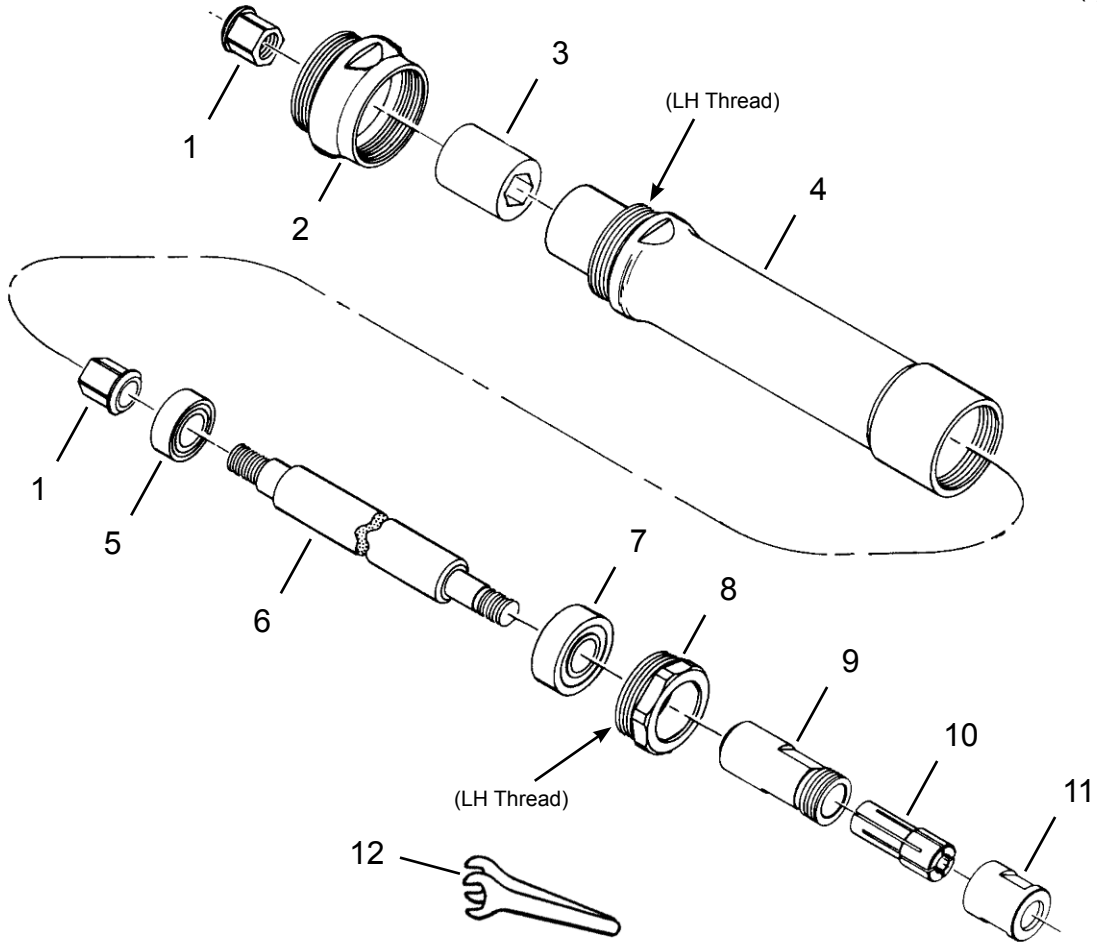
Table "B"

Ref.	Description	#	12(-)2080(-)	#	12(-)2180(-)	#	12(-)2081(-) 12(-)2082(-)	#	12(-)2181(-) 12(-)2182(-)
2	Inlet Adapter (w/o OH)	1	01-2505	1	01-2505	1	01-2505	1	01-2505
	Inlet Adapter (w/ OH)	1	01-1031	1	01-1031	1	01-1031	1	01-1031
19	Rotor Blade	4	2006PT	4	2006PT	4	2406	4	2406
24	Front End Plate	1	2256	1	2292	1	2256	1	2292

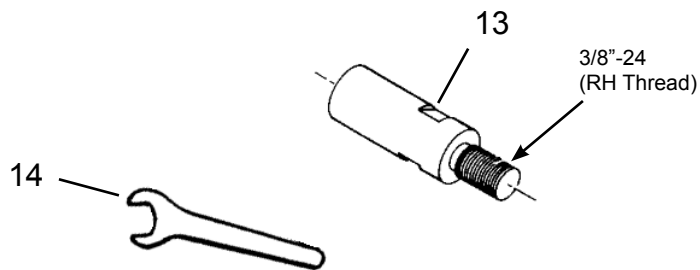
“C”

Models
12(-)2180(-)
12(-)2181(-)
12(-)2182(-)

Termination 01: 200 Series Collet



Termination 77: Cone and Plug Wheel (Types 16-19)



Dotco®
Extended Grinders

45-8164EN
02/14/2012

Illustration "C"

Ref	Number	#	X	EN
				Description
Termination 01:				
1	2284	2	2	Coupling Nut
2	01-2043PT	1		Lock Ring
3	2287	1		Coupling
4	2700PT	1		Spindle Housing
5	506PT	1	2	Ball Bearing
6	2307PT	1		Spindle
7	524PT	1	2	Ball Bearing
8	2332PT	1		Lock Ring
9	2060PT	1		Chuck Body
10	208	1	1	Collet (1/4")
11	2058PT	1		Collet Cap
12	14-0809	1		Wrench (9/16")
	14-0812	1		Wrench (3/4")
Termination 77:				
13	02-7526	1	1	Arbor
14	14-0808	1		Wrench (1/2")

(#) Quantity

(X) Recommended Spare Parts

Sales & Service Centers

Note: All locations may not service all products. Please contact the nearest Sales & Service Center for the appropriate facility to handle your service requirements.

Dallas, TX
**Apex Tool Group
Sales & Service Center**
1470 Post & Paddock
Grand Prairie, TX 75050
Tel: 972-641-9563
Fax: 972-641-9674

Detroit, MI
**Apex Tool Group
Sales & Service Center**
2630 Superior Court
Auburn Hills, MI 48326
Tel: 248-391-3700
Fax: 248-391-7824

Houston, TX
**Apex Tool Group
Sales & Service Center**
6550 West Sam Houston
Parkway North, Suite 200
Houston, TX 77041
Tel: 713-849-2364
Fax: 713-849-2047

Lexington, SC
Apex Tool Group
670 Industrial Drive
Lexington, SC 29072
Tel: 800-845-5629
Tel: 803-951-7544
Fax: 803-358-7681

Los Angeles, CA
**Apex Tool Group
Sales & Service Center**
15503 Blackburn Avenue
Norwalk, CA 90650
Tel: 562-623-4457
Fax: 562-802-1718

Seattle, WA
**Apex Tool Group
Sales & Service Center**
2865 152nd Avenue N.E.
Redmond, WA 98052
Tel: 425-497-0476
Fax: 425-497-0496

York, PA
**Apex Tool Group
Sales & Service Center**
3990 East Market Street
York, PA 17402
Tel: 717-755-2933
Fax: 717-757-5063

Canada
**Apex Tool Group
Sales & Service Center**
5925 McLaughlin Road
Mississauga, Ont. L5R 1B8
Canada
Tel: 905-501-4785
Fax: 905-501-4786

Germany
**Apex Tool Group
GmbH & Co. OHG**
Industriestraße 1
73463 Westhausen
Germany
Tel: +49 (0) 73 63 81 0
Fax: +49 (0) 73 63 81 222

England
**Apex Tool Group
GmbH & Co. OHG**
C/O Spline Gauges
Piccadilly, Tamworth
Staffordshire B78 2ER
United Kingdom
Tel: +44 1827 8741 28
Fax: +44 1827 8741 28

France
Apex Tool Group SAS
25 rue Maurice Chevalier
77330 Ozoir-La-Ferrière
France
Tel: +33 1 6443 2200
Fax: +33 1 6443 1717

China
Cooper (China) Co., Ltd.
a company of
Apex Tool Group, LLC
955 Sheng Li Road,
Heqing Pudong, Shanghai
China 201201
Tel: +86-21-28994176
Fax: +86-21-51118446

Mexico
Cooper Tools
de México S.A. de C.V.
a company of
Apex Tool Group, LLC
Vialidad El Pueblito #103
Parque Industrial Querétaro
Querétaro, QRO 76220
Mexico
Tel: +52 (442) 211-3800
Fax: +52 (442) 103-0443

Brazil
Cooper Tools Industrial Ltda.
a company of
Apex Tool Group, LLC
Av. Liberdade, 4055
Zona Industrial - Iporanga
18087-170 Sorocaba
SP Brazil
Tel: +55 15 2383929
Fax: +55 15 2383260

Hungary
Cooper Tools Hungaria Kft.
a company of
Apex Tool Group, LLC
Berkenyefa sor 7
Pf: 640
9027 Győr
Hungary
Tel: +36 96 66 1383
Fax: +36 96 66 1135

Apex Tool Group, LLC
1000 Lufkin Road
Apex, NC 27539
Phone: 919-387-0099
Fax: 919-387-2614
www.apextoolgroup.com

DOTCO®