



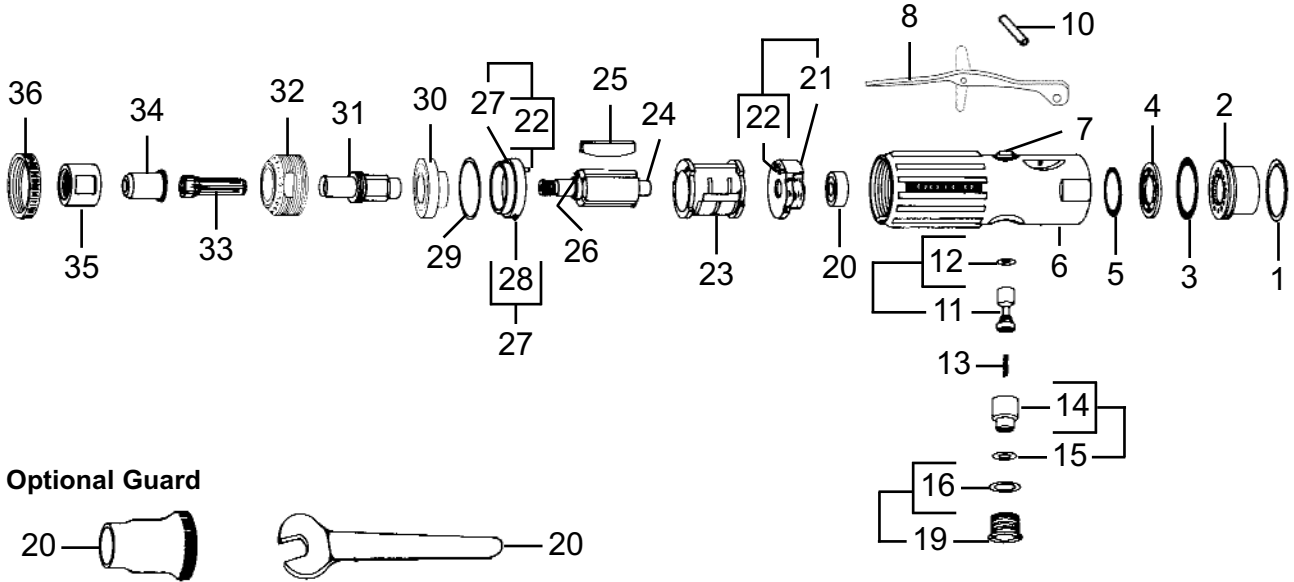
Model Number	Throttle Type	Speed RPM	Length		Collet Size
			in.	mm	
10B1080-36	Button	30,000	4.6	117	1/4"
10B1081-36	Button	34,000	4.6	117	1/4"
10B1082-36	Button	25,000	4.6	117	1/4"
10K1031-36	Lock-Off Lever	20,000	4.6	117	1/4"
10K1080-36	Lock-Off Lever	30,000	4.6	117	1/4"
10K1081-36	Lock-Off Lever	34,000	4.6	117	1/4"
10K1082-36	Locking Lever	25,000	4.6	117	1/4"
10L1031-36	Locking Lever	20,000	4.6	117	1/4"
10L1080-36	Locking Lever	30,000	4.6	117	1/4"
10L1081-36	Locking Lever	34,000	4.6	117	1/4"
10L1082-36	Locking Lever	25,000	4.6	117	1/4"
10S1031-36	Locking Lever	20,000	4.6	117	1/4"
10S1080-36	Locking Lever	30,000	4.6	117	1/4"
10S1081-36	Locking Lever	34,000	4.6	117	1/4"
10S1082-36	Locking Lever	25,000	4.6	117	1/4"

For additional product information visit our website at <http://www.apextoolgroup.com>

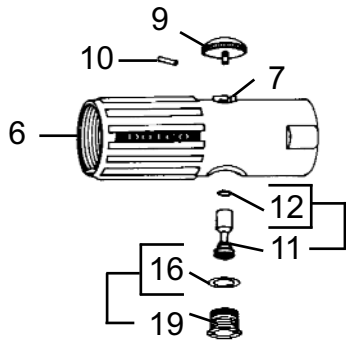
DOTCO 10-1000 Series Grinder - Rear Exhaust

"A"

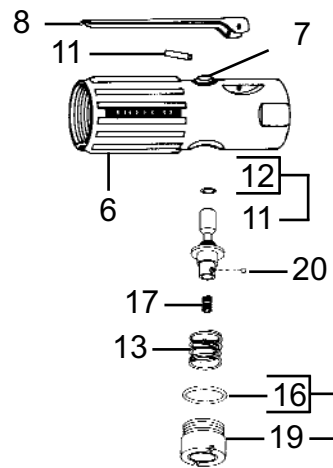
"L" & "S" Latching Lever



"B" Button Throttle



"K" Lock-Off Lever



DOTCO

10-1000 Series Grinder - Rear Exhaust

PL30-1010-1
May 8, 2006

Illustration "A" - Motor Assembly

Ref.	Number	#	●	Kit	EN	DE	FR	ES	IT
					Description	Benennung	Description	Descripción	Descrizione
1	1891	1		K1	Retaining Ring	Sicherungsring	Anneau de fixation	Anillo de retención	Anello di fissaggio
2	1899	1		K1	Muffler	Schalldämpfer	Silencieux	Silenciador	Silenziatore
3	1322	1		K1	O-Ring	O-Ring	Joint torique	Anillo "O"	Anello ad O
4	Table A1	1		K1	Baffle	Scheidewand	Défecteur	Desviador	Deflettore
5	Table A1	1		K1	O-Ring	O-Ring	Joint torique	Anillo "O"	Anello ad O
6	Table A	1			Motor Housing	Motorgehäuse	Cage de moteur	Caja del motor	Corpo motore
7	Table A	1		K2	** Valve Bushing	Lagerbuchse	Douille	Casquillo	Boccola
8	Table A	1		K2	Lever	Hebel	Levier	Palanca	Leva
9	1039	1		K2	Button	Drucktaste	Bouton	Botón	Pulsante
10	Table A	1		K2	Pin	Stift	Goupille cylindrique	Pasador	Spina
11	Table A	1		K2	Valve Stem	Ventilschaft	Tige de soupape	Vástago de válvula	Asta valvola
12	1052	1		K2	O-Ring	O-Ring	Joint torique	Anillo "O"	Anello ad O
13	Table A	1		K2	Valve Spring	Ventilfeder	Printemps de soupape	La Primavera de la válvula	Primavera di valvola
14	1011	1		K2	Speed Regulator	Regler	Régulateur	Regulador	Regolatore
15	1056	1		K2	O-Ring	O-Ring	Joint torique	Anillo "O"	Anello ad O
16	1057	1		K2	O-Ring	O-Ring	Joint torique	Anillo "O"	Anello ad O
17	4180	1		K2	Ball	Kugel	Bille	Bolas	Sfera
18	1642	1		K2	Spring	Druckfeder	Ressort	Resorte	Molla
19	Table A	1		K2	Plug Assembly	Buchse	Bouchon	Tapón	Spina
20	504	1		K3	Ball Bearing	Kugellager	Roulement à billes	Cojinete de bolas	Cuscinetto a sfera
21	1866	1			Bearing Plate	Tragplatte	Plaque de support	Placa de asiento	Piattello cuscinetto
22	1041	2		K3	Locating Pin	Stift	Goupille cylindrique	Pasador	Spina
23	1002	1			Cylinder	Zylinder	Cylindre	Cilindro	Cilindro
24	Table A1	1			Rotor	Rotor	Rotor	El rotor	Il rotore
25	Table A1*	--		K3	Rotor Blade *	Rotorblatt	Palette	Alabe del rotor	Paletta del rotore
26	1017	1		K3	Spacer	Distanzstück	Entretoise	Espaciador	Distanziale
27	1867	1			Bearing Plate	Tragplatte	Plaque de support	Placa de asiento	Piattello cuscinetto
28	2964	1			Pin	Stift	Goupille cylindrique	Pasador	Spina
29	1355	1		K3	Shim Packet	Unterlegstück	Cale pelable	Calzo	Spessore
30	538	1		K3	Ball Bearing	Kugellager	Roulement à billes	Cojinete de bolas	Cuscinetto a sfera
31	1054	1			Collet Chuck Body	Futter Körper	Corps de trou	Bote el Cuerpo	Il Corpo di ciottolo
32	1045	1			Lock Ring	Verschlussring	Bague de verrouillage	Anillo de cierre	Anello di bloccaggio
33	Table A2	1			Collet	Futter	Douille de serrage	Boquilla	Bussola di chiusura
34	1053	1		K4	Nosepiece	Kopfstück	Tuyère	Tobera	Naso
35	1058	1		K4	Collet Chuck Cap	Kappe	Chapeau	Tapa	Cappello
36	1272	1		K4	Guard (standard)	Schutzvorrichtung	Protection	Guarda	Protezione
37	1020	1			Guard (optional)	Schutzvorrichtung	Protection	Guarda	Protezione
38	14-0807	1			Wrench (7/16")	Schraubenschlüssel	Clé plate	La llave	La chiave
	14-0811	1			Wrench (11/16")	Schraubenschlüssel	Clé plate	La llave	La chiave
Repair Kits:									
K1	Table A1	1			Air Inlet Kit	Satz	Ensemble	Juego	Corredo
K2	Table A	1			Throttle Kit	Satz	Ensemble	Juego	Corredo
K3	Table A1	1			Motor Kit	Satz	Ensemble	Juego	Corredo
K4	04-0045	1			Output Kit	Satz	Ensemble	Juego	Corredo
*	Table A1	1			Rotor Blade Kit	Satz	Ensemble	Juego	Corredo

(#) Quantity / Stückzahl / Quantité / Cantidad / Quantità

* Note: Rotor Blade Kits contain 50 pieces

** Note: If necessary to replace valve bushing, press bushing, beveled end first, into threaded end of crosshole of motor housing. The valve bushing base should be .562" plus .005" from counterbored shoulder of crosshole. Hone inside diameter of valve bushing to .2509" plus .0003" diameter.

10-1000 Series Grinder - Rear Exhaust

Table "A"

Ref.	Description	Qty.	10B1080 10B1081 10B1082	Qty.	10K1031 10K1080 10K1081 10K1082	Qty.	10L1031 10L1080 10L1081 10L1082	Qty.	10S1031 10S1080 10S1081 10S1082
6	Motor Housing	1	1914	1	1863	1	1863	1	1863
7	Valve Bushing	1	1037	1	1007	1	1007	1	1007
8	Lever		---	1	1019	1	01-1267	1	01-1267
10	Pin	1	1055	1	1042	1	1042	1	1042
11	Valve Stem	1	1038	1	1644	1	1008	1	1008
13	Valve Spring		---	1	1641	1	2015	1	2015
19	Plug Assembly	1	1012	1	1643	1	1012	1	1012
K2	Throttle Kit	1	04-0041	1	04-0039	1	04-0040	1	04-0040

Table "A1"

Ref.	Description	Qty.	10-1031	Qty.	10-1080	Qty.	10-1081	Qty.	10-1082
4	Baffle	1	1947		---		---	1	1945
5	O-Ring	1	2460		---		---	1	2460
24	Rotor	1	1005	1	1005	1	1214	1	1005
25	Rotor Blade	4	1006	4	1006	3	1006	4	1906
K1	Air Inlet Kit	1	04-0049	1	04-0047	1	04-0047	1	04-0048
K3	Motor Kit	1	04-0042	1	04-0042	1	04-0043	1	04-0044
*	Rotor Blade Kit	1	04-0031	1	04-0031	1	04-0031	1	04-0032

* Note: Rotor Blade Kits contain 50 pieces

Table "A2" - Optional Collets

Part No.	Arbor Size	Part No.	Arbor Size	Part No.	Arbor Size
301	3/64"	305	5/32"	310	6mm
302	5/64"	306	3/16"		
303	3/32"	307	7/32"		
304	1/8"	308 *	1/4"		

* Standard Collet