



**15301823**  
Edition 2  
September 2011

# Piggyback Assembly

**1000 Series**

---

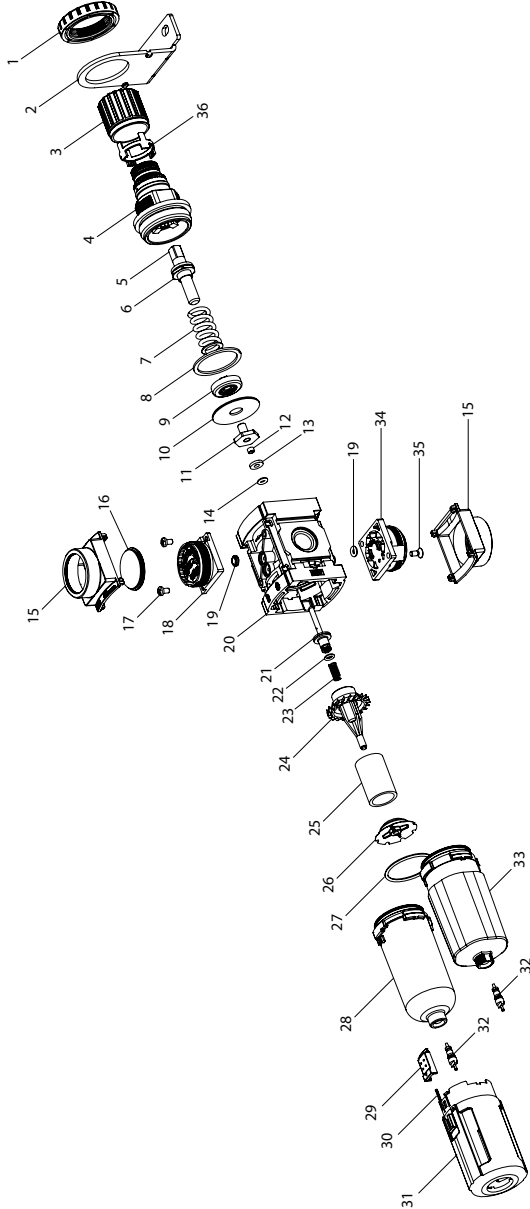
## Parts Information



Save These Instructions

 **Ingersoll Rand**

Piggyback Assembly 1000 Series P391XX-XXX - Exploded View

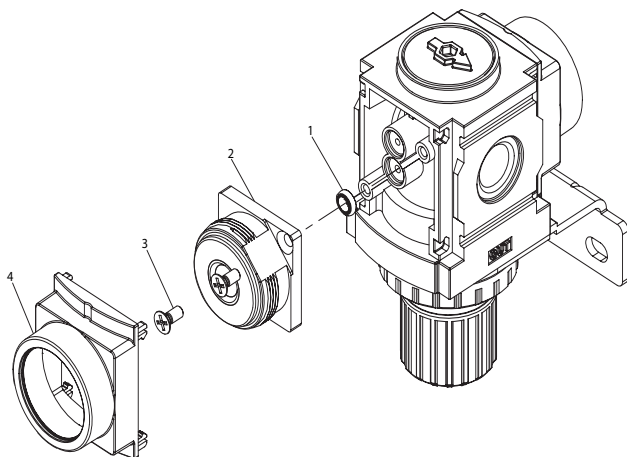


(Dwg. 15318611)

## Piggyback Assembly 1000 Series P391XX-XXX - Parts List

| Item | Part Description   | Material        | Part Number |
|------|--|-----------------|-------------|
| 1    | Panel Mount Nut  | Acetal          | ---         |
| 2    | L-Bracket  | Steel           | ---         |
| 3    | Handle   | Acetal          | ---         |
| 4    | Bonnet   |                 | ---         |
| 5    | Adjusting Bolt   | Steel           | ---         |
| 6    | Adjusting Nut  |                 | ---         |
| 7    | Adjusting Spring   | Steel           | ---         |
|      | 0-30 psig (P391XX-4XX)                                     |                 | 104305      |
|      | 0-60 psig (P391XX-2XX)                                     |                 | 104306      |
|      | 0-140 psig (P391XX-1XX, P391XX-6XX)                        |                 | 104307      |
| 8    | Diaphragm Ring   | Acetal          | ---         |
| 9    | Diaphragm Shell  |                 | ---         |
| 10   | Diaphragm  | Nitrile+Acetal  | ---         |
| 11   | Relief Valve   | Acetal          | ---         |
| 12   | Relief Valve Gasket  | Nitrile         | ---         |
| 13   | Stem O-Ring Holder   | Aluminum        | ---         |
| 14   | Stem O-Ring  | Nitrile         | ---         |
| 15   | Regulator Body Cover                                       | Acetal          | ---         |
| 16   | Gauge Window   | Polycarbonate   | ---         |
| 17   | Gauge Bolt   | Steel           | ---         |
| 18   | Gauge  | ---             | 104310      |
|      | 0-140 psig (P391XX-6XX)                                    |                 |             |
| 19   | Gauge O-Ring   | Nitrile         | ---         |
| 20   | Piggyback Body   | Aluminum        | ---         |
|      | 1/8" BSP (P391AX-XXX)                                      |                 | ---         |
|      | 1/4" BSP (P391BX-XXX)                                      |                 | ---         |
|      | 1/8" NPT (P3911X-XXX)                                      |                 | ---         |
|      | 1/4" NPT (P3912X-XXX)                                      |                 | ---         |
| 21   | Valve Assembly   | Brass+Nitrile   | ---         |
| 22   | Valve O-Ring   | Nylon           | ---         |
| 23   | Valve Spring   | Stainless Steel | ---         |
| 24   | Deflector  | Acetal          | ---         |
| 25   | Filter Element   | Polyethylene    | ---         |
|      | 5 Micron (P391X4-XXX)                                      |                 | 104295      |
|      | 40 Micron (N/A)  |                 | 104296      |
| 26   | Baffle   | Acetal          | ---         |
| 27   | Bowl O-Ring  | Nitrile         | ---         |
| 28   | Poly Bowl (Includes Items 25, 27, 28, 29 and Drain)        | Polycarbonate   | ---         |
|      | Manual Drain (P391XX-X00)                                  |                 | 104298      |
|      | Auto Drain (P391XX-X04)                                    |                 | 104299      |
| 29   | Lock Button  | Acetal          | ---         |
|      | (P391XX-X0X)   |                 |             |
| 30   | Lock Button Spring   | Stainless Steel | ---         |
|      | (P391XX-X0X)   |                 |             |
| 31   | Bowl Guard   | Nylon           | ---         |
|      | Manual Drain (P391XX-X00)                                  |                 | ---         |
|      | Auto Drain (P391XX-X04)                                    |                 | ---         |
| 32   | Manual Drain   | ---             | 104294      |
|      | (P391XX-XX0)   |                 |             |
| 33   | Metal Bowl (Includes Item 25)                              | Aluminum        | ---         |
|      | Manual Drain (P391XX-X20)                                  |                 | 104300      |
|      | Auto Drain (P391XX-X24)                                    |                 | 104301      |
| 34   | Block Cover  | Nylon           | ---         |
| 35   | Gauge Bolt   | Steel           | ---         |
|      | Auto Drain (See Part List 15301799)                        | ---             | 104293      |
|      | (P391XX-XX4)   |                 | 104293      |
| 36   | Tamper Kit   | Nylon           | 104304      |
|      | No Gauge Assembly (See Page 4)                             | ---             | ---         |
|      | Service Kit (Includes Items 8, 9, 10, 11, 12, 19, 20 & 21) | ---             | 104217      |
|      | Relieving (P391XX-X0X, P391XX-X2X)                         |                 |             |
|      | Non-Relieving (P391XX-X4X)                                 |                 |             |
|      | Service Kit (Includes Items 27 and 32)                     | ---             | 104468      |

## No Gauge Assembly 1000 Series Exploded Diagram



(Dwg. 15318645)

### No Gauge Assembly 1000 Series Parts List

| Item | Part Description | Material | Part Number | Item | Part Description     | Material | Part Number |
|------|------------------|----------|-------------|------|----------------------|----------|-------------|
| 1    | Gauge O-Ring     | Nitrile  | ---         | 3    | Block Cover Bolt     | Steel    | ---         |
| 2    | Gauge Plate      | Acetal   | ---         | 4    | Regulator Body Cover | Acetal   | ---         |

### Parts and Maintenance

When the life of the tool has expired, it is recommended that the tool be disassembled, degreased and parts be separated by material so that they can be recycled.

Tool repair and maintenance should only be carried out by an authorized Service Center.

Refer all communications to the nearest **Ingersoll Rand** Office or Distributor.

### Related Documentation

For additional information refer to:

Safety Information Manual 15301765.

Product Information Manual 15301773.

Maintenance Information Manual 15301781.

Manuals can be downloaded from [www.ingersollrandproducts.com](http://www.ingersollrandproducts.com)

Part No: 100400-59

[www.ingersollrandproducts.com](http://www.ingersollrandproducts.com)

© 2011 **Ingersoll-Rand** Company

